



**LEVEL.IT**  
Adjustable Pedestals

## SIMPLE INGENUITY

June 2020

### LEVEL.IT ADJUSTABLE PEDESTALS

- Simple, extended height range pedestal
- Patented design - features exclusive internal coupler
- Durable commercial quality
- Fast and easy installation - promotes labor savings
- Screw-to-adjust pedestals ensure perfectly level decks
- Impervious to water, mold, and freeze/thaw cycles
- Long lasting solution with no maintenance over time
- Made in the U.S.A.

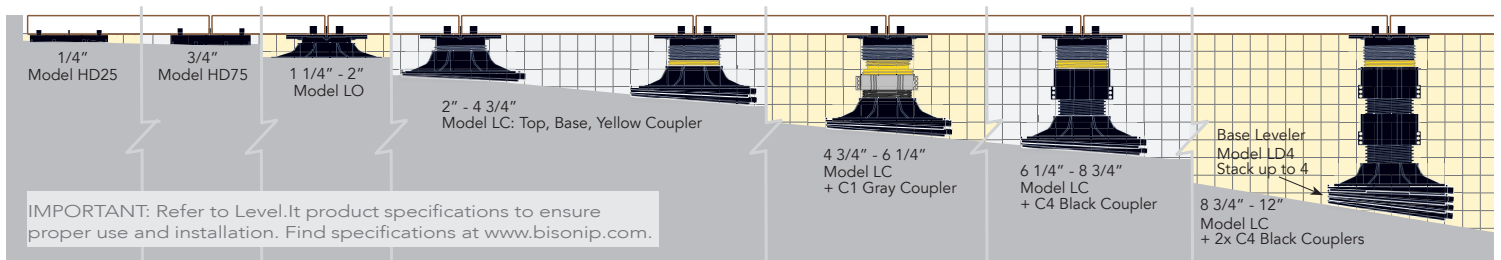


©2013-2020 United Construction Products, Inc. All Rights Reserved.  
Covered by one or more patents or pending patents.

# SPECIFICATIONS

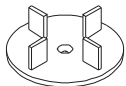
- Supports 750 lbs (340 kg) FoS:3 per pedestal
- Select 1/8 or 3/16 inch (3.2 or 4.5 mm) tab size for pedestals
- Level.It adjustable system height range is 2 to 12 inches (51 to 305 mm)
- Accessories available for heights from 1/8 to 2 inches (3.2 to 51 mm)
- Pedestals made of high density copolymer polypropylene
- Contains 20% post-industrial recycled material
- Impervious to water, mold, and freeze/thaw cycles
- Made in the U.S.A.

|             | Model No.  | Description                                | Height Range  | Notes   |
|-------------|--|--|---|---|
| Pedestals   |  LC-18<br>LC-316  | Adjustable Pedestal                        | 2" to 4-3/4"<br>(51 to 121 mm)  | --  |
|             |  C1   | Coupler                                    | Adds up to 1-1/2" (38 mm)   | --  |
|             |  C4   | Coupler                                    | Adds up to 4" (102 mm)  | --  |
| Tabs        |  LT18<br>LT316  | Spacer Tab                                 | --  | Select 1/8" (3.2 mm) or 3/16" (4.5 mm) Tab Width  |
|             |  VT18<br>VT316  | Ultra Low Height Pedestal                  | 1/8" (3.2 mm)   | --  |
| Accessories |  HD25-18 HD25-316<br>HD50-18 HD50-316<br>HD75-18 HD75-316 | Fixed Height Stackable Pedestal            | 1/4" (6 mm)<br>1/2" (13 mm)<br>3/4" (19 mm)   | Stack up to 4<br>Supports 1250 lbs (567 kg)<br>FoS:3 per Pedestal                                   |
|             |  LO-18<br>LO-316   | Low Height Adjustable Pedestal             | 1-1/4" to 2"<br>(32 to 51 mm)   | --  |
|             |  B11  | Flexible Shim                              | 1/16" (1.5 mm)  | --  |
|             |  PS1  | Rigid Shim                                 | 1/8" (3.2 mm)   | --  |
|             |  LD4  | Base Leveler                               | Adds 1/4" (6 mm)  | Stack up to 4 total to base of Pedestals<br>For 1/4" per foot (2%) slope compensation each          |
|             |  FS-1   | Wood Tile Fastening Kit                    | Fastens Wood Tiles to Adjustable Pedestals with long screw, and HD50 or HD75 Fixed Height Pedestals with short screw                |   |
|             |  FS-12<br>FS-12-WT                                      | 12" Fastening Spline<br>3/16" (4.5 mm) Tab | Fastens Wood Tiles or Paver Trays to Adjustable Pedestals with long screw, and HD50 or HD75 Fixed Height Pedestals with short screw |   |
|             |  JT   | Joist Top Attachment                       | Adds 3/16" (4.5 mm)   | Works with 2 x and 4 x lumber on Adjustable Pedestals   |
|             |  FIB  | Floating Insulation Base                   |   | 12" x 12" x 11/16" (305 x 305 x 17 mm)<br>For use over roofing systems with 20 to 40 psi insulation |
|             |  FFB  | Floating Foundation Base                   |   | 12" x 12" x 1/4" (305 x 305 x 6 mm)<br>For use over soil  |



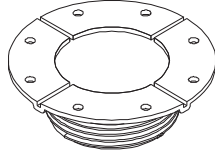


# Understanding **Level.It** Installation Details



### LC Tab (Specify tab width when ordering)

LT316 - 3/16" (4.5 mm) standard  
LT18 - 1/8" (3.2 mm) optional



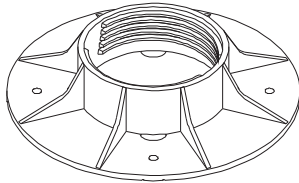
### LC Top

Thread engagement indicators warn of overextension. Do not extend pedestal top or couplers beyond this point. Works with LC Base or C1, C3, and C4 Couplers.



### C3 Coupler (Yellow)

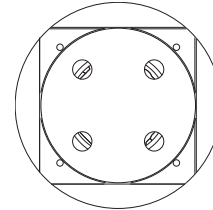
Thread engagement indicators warn of overextension. Do not extend pedestal top or couplers beyond this point. Remove coupler to reach lowest elevations. (Item C3 not sold separately)



### LC Base

Thread engagement indicators warn of overextension. 48 in<sup>2</sup> (310 cm<sup>2</sup>) base for weight distribution. Works with LC Top or C1, C3, and C4 Couplers.

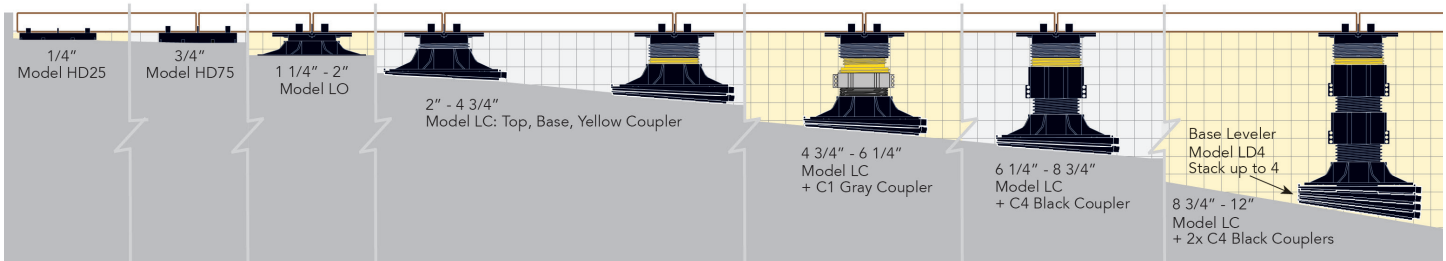
### LC Base (Bottom view)



The LC Base is scored to allow easier trimming to fit the pedestal into tight spots.

When cutting the LC Base, round off any sharp edges to protect the roofing membrane.

Model LC works for elevations from 2" to 4-3/4" (51 to 121 mm). To remove tabs, strike spacer tabs with hammer on edge. Add C1 or C4 Couplers to reach up to 12" (305 mm) in elevation. For elevations over 12" (305 mm) see our Versadjust Pedestal line. Accessories are available to compensate for slope and for low height applications from 1/8" to 2" (3.2 to 51 mm).



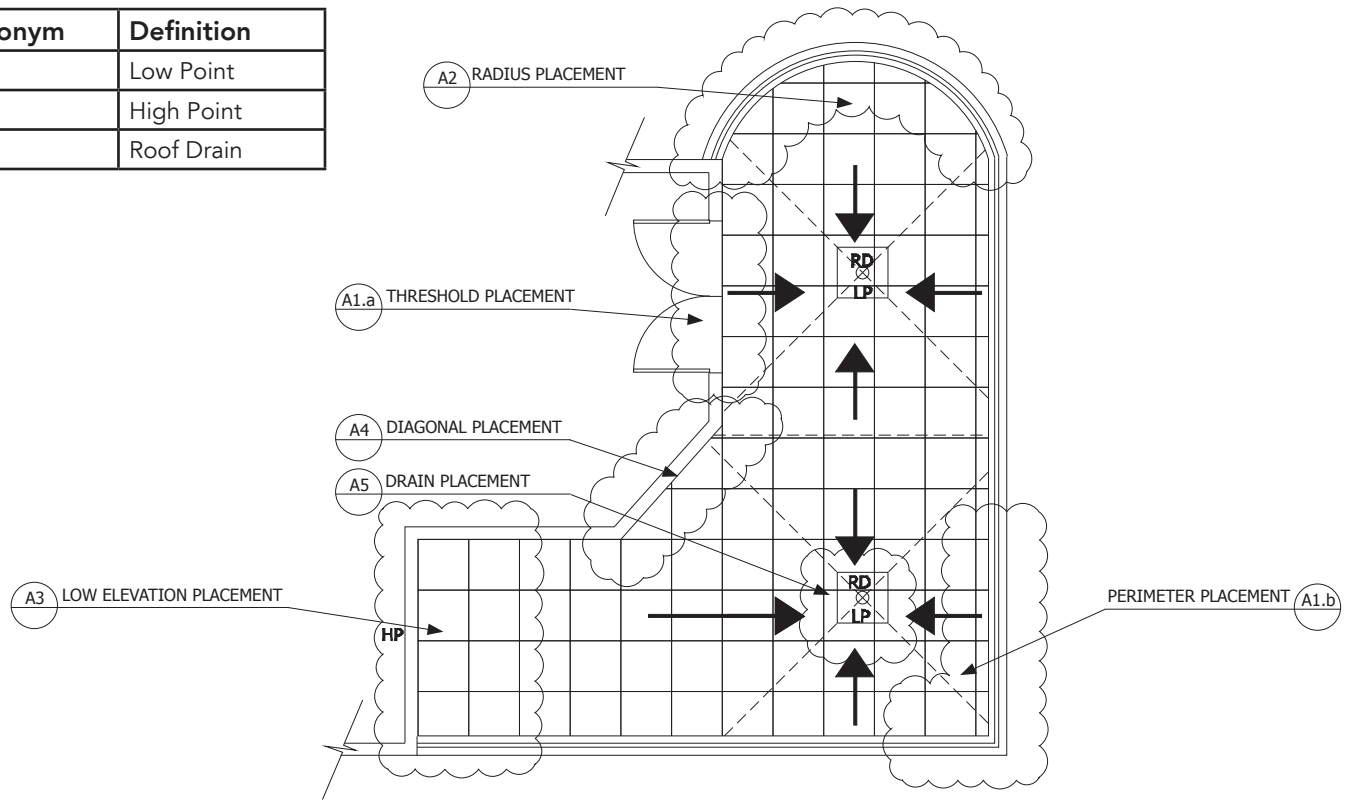
## Maintenance Guide

Routine maintenance of your paver deck system will enhance the beauty, reduce major repairs, and prolong the life of your deck. Below is a list of maintenance guidelines that should be performed on a regular basis:

1. Check for pavers that rock. If you notice pavers rocking back and forth while walking on the deck, simply lift the paver up and shim one or more corners until the paver is level on all four corners. To ensure pedestal stability, make sure to not exceed the thread engagement indicators. Bison 1/16" (1.5 mm) B11 Shims or 1/8" (3.2 mm) PS1 Shims can be ordered and shipped.
2. Depending on substrate materials, some settling and/or deflection can occur. Remove the paver and adjust the pedestal until a level height is achieved. You may need to do this to more than one pedestal to level out an area.
3. Clean drains and scuppers on a regular basis. Water should completely drain off the roof deck within 48 hours after rainfall, under ambient drying conditions. Standing or pooling water can be detrimental to some waterproofing systems.
4. Periodically check the spacer tabs between pavers, and replace broken spacer tabs immediately. Loss of spacer tabs could create unsafe deck movement.
5. Make sure the edge restraint remains intact. There should not be room around the perimeter of the deck in excess of 3/16" (4.5 mm) width which would allow for lateral movement of the pavers and create an unsafe condition.
6. Follow paver manufacturers' suggestions for upkeep and maintenance of the pavers.

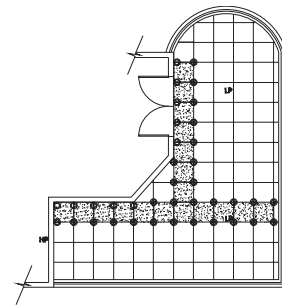
# Advanced Layout and Pedestal Placement

| Acronym | Definition |
|---------|------------|
| LP      | Low Point  |
| HP      | High Point |
| RD      | Roof Drain |



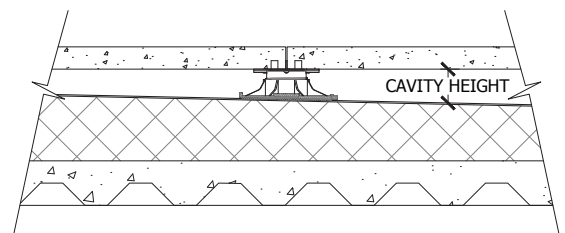
## "T" Method Installation

1. Determine cavity heights at all thresholds, drains, and high points.
2. Deduct thickness of decking material.
3. Mark top of pedestal elevation around deck with chalk line or laser level.
4. Plan paver/pedestal layout pattern in advance.
5. Install "T" shaped portion of deck starting from threshold or high point.
6. Adjust to correct height and level.
7. Install on both sides of the "T".



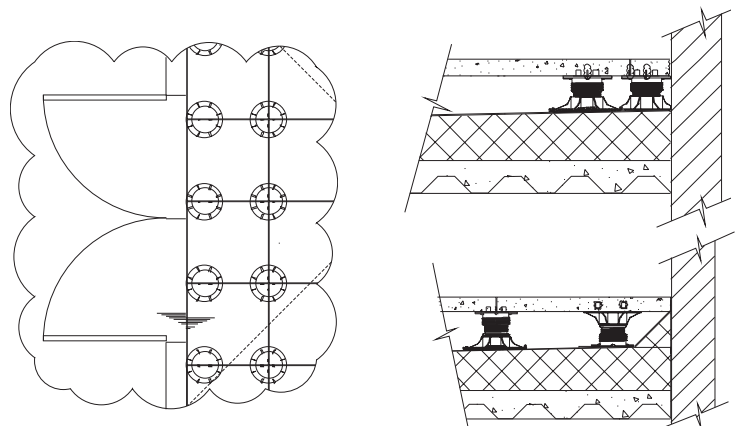
## Determining Cavity Height

- The cavity height is the space between the top of the roofing membrane and the bottom of the decking material.
- Use a laser level or chalk line to assist.
- Refer to the detachable measuring device printed on the box.



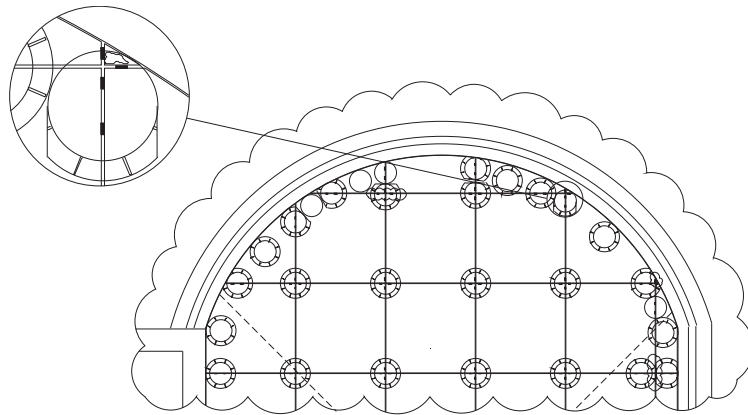
## A1 (a) Threshold and (b) Perimeter Placement

- Use extra pedestals under small cut pieces for additional support.
- Adhere small pavers to top of pedestal with construction adhesive.
- Remove tabs as necessary for perimeter pedestals.
- Turn pedestals upside down or trim pedestal bases as necessary to fit around the perimeter.
- Decking pavers must not be spaced more than 3/16" (4.5 mm) from the perimeter containment.
- Adhere tabs into place with construction adhesive to maintain spacing between pavers when normal tab placement is not possible.



## A2 Radius Placement

- Use extra pedestals under small cut pieces for additional support.
- Adhere small pavers to top of pedestal with construction adhesive.
- Remove tabs as necessary for perimeter pedestals.
- Turn pedestals upside down or trim pedestal bases as necessary to fit around the perimeter.
- Decking pavers must not be spaced more than 3/16" (4.5 mm) from the perimeter containment.
- Adhere tabs into place with construction adhesive to maintain spacing between pavers when normal tab placement is not possible.



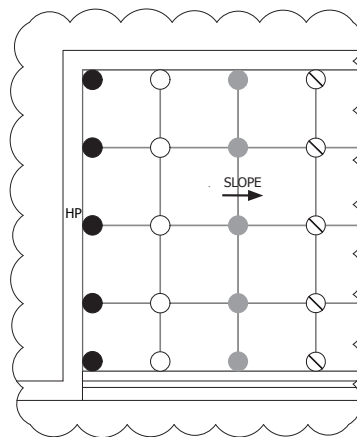
## A3 Low Elevation Placement

For low cavity heights the following pedestals are available:

| LOW HEIGHT PEDESTALS |                              |
|----------------------|------------------------------|
| MODEL:               | HEIGHT:                      |
| VT18 or VT316        | ● 1/8" (3.175 mm)            |
| HD25-18 or HD25-316  | ○ 1/4" (6.35 mm)             |
| HD50-18 or HD50-316  | ● 1/2" (12.7 mm)             |
| HD75-18 or HD75-316  | ⊗ 3/4" (19.05 mm)            |
| LO-18 or LO-316      | ⊗ 1 1/4 - 2" (31.75 - 51 mm) |

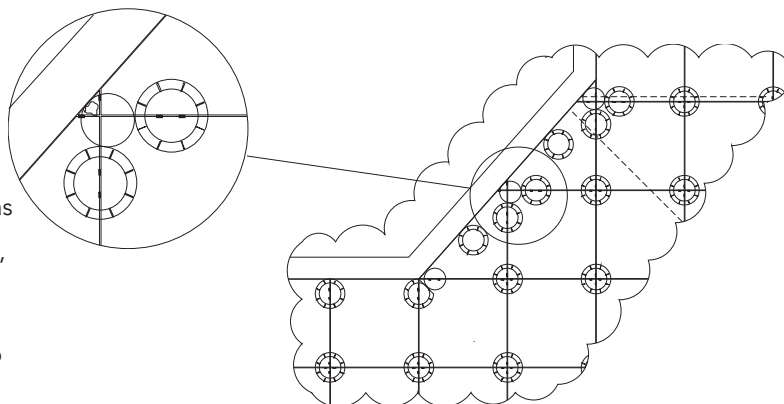
Shims can also be used to accommodate variations in height:

- 1/16" (1.5 mm) B11 Shim
- 1/8" (3.2 mm) PS1 Shim



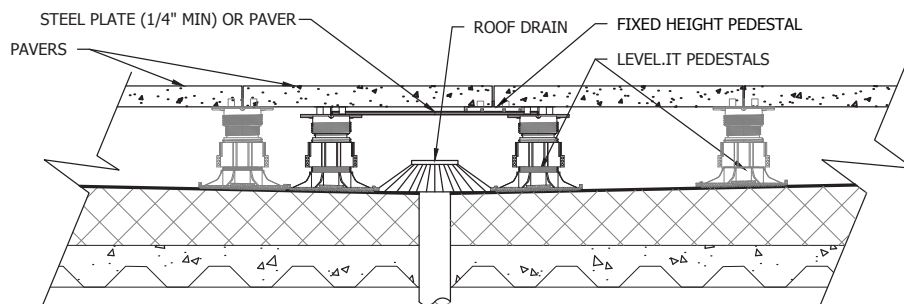
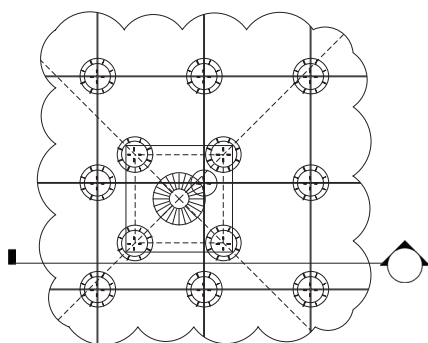
## A4 Diagonal Placement

- Use extra pedestals under small cut pieces for additional support.
- Adhere small pavers to top of pedestal with construction adhesive.
- Remove tabs as necessary for perimeter pedestals.
- Turn pedestals upside down or trim pedestal bases as necessary to fit around the perimeter.
- Decking pavers must not be spaced more than 3/16" (4.5 mm) from the perimeter containment.
- Adhere tabs into place with construction adhesive to maintain spacing between pavers when normal tab placement is not possible.



## A5 Drain Placement

- Elevate a steel plate or spare paver above the drain but below the deck itself.
- Use that elevated paver to support a pedestal where you need for the deck above.



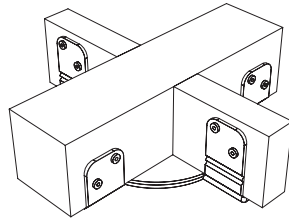
SECTION VIEW

## Working with Wood

### JT Wood Joist Top

Center Joist Top over Bison Pedestal. Using a screwdriver, insert screw (provided) into the hole in the center of the Joist Top and hand tighten to attach to the pedestal. Works with both 2x and 4x lumber. Attach joist(s) to Joist Top using #8 deck screws (NOT provided).

**IMPORTANT:** When attaching to the pedestal - DO NOT OVER-TIGHTEN SCREW.

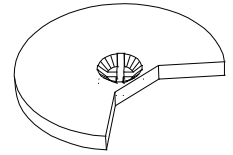


AS SHOWN: JOIST TOP WITH 2x4 AND 4x4 JOISTS

### FS-1 Wood Tile Fastening Kit

Place FS-1 washer in the kerf between the surface planks and the runners. Screw FS-1 washer through center hole of spacer tab set and into pedestal.

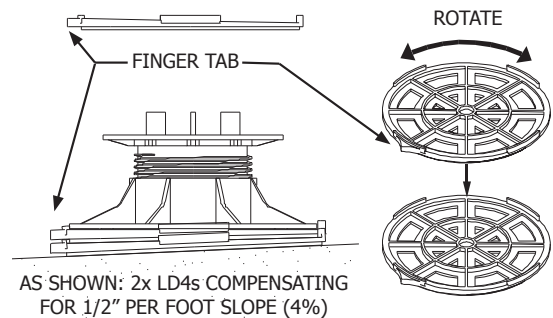
Make sure that washer clamps all corners of wood tiles and then tighten. To remove a wood tile: Loosen screw, and, using a screwdriver, rotate FS-1 washer to release wood tile.



## Slope Compensation

### LD4 Base Leveler

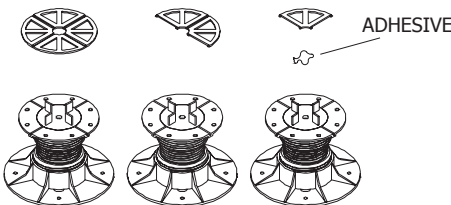
- Use LD4(s) to compensate for slope in order to keep pedestals plumb (vertical) and finished deck elevation level.
- Each LD4 compensates for a 1/4" per foot slope (2%) and adds 1/4" (6 mm) to the overall height of the pedestal. Stack up to 4 total LD4s below the base of a pedestal and rotate to compensate for slopes from 0" to a maximum of 1" per foot slope (0-8%).
- Place LD4 on substrate with smooth side down. Center pedestal or additional LD4s between tabs on top.
- Finger tab points downhill for 1/4" per foot slope (2%) when using a single LD4.



## Working with Shims

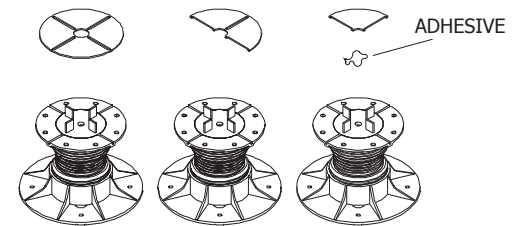
### PS1 1/8" (3.2 mm) Shims - Plastic

PS1s may be placed on top of pedestals to accommodate for minor leveling of pavers with thickness variations. Use no more than 2 shims. If using only quarter segment, adhere it to the pedestal with construction adhesive.



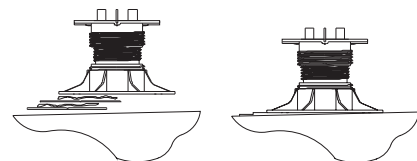
### B11 1/16" (1.5 mm) Shims - Rubber

B11s may be placed on top of pedestals to accommodate for minor leveling of pavers with thickness variations. Use no more than 2 shims. If using only quarter segment, adhere it to the pedestal with construction adhesive.



### PS1 and B11 Shims Under Pedestals

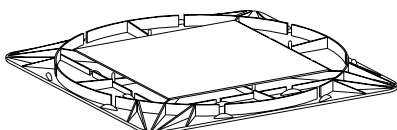
Place shims (whole or in segments) under the pedestal in a stairstep fashion to compensate for sloping substrates. Use no more than 2 shims. Adhere them to each other and to the pedestal with construction adhesive. **IMPORTANT: DO NOT ADHERE TO SUBSTRATE.**



## Pedestal Base Pads

### Floating Insulation Base (FIB)

If common roof insulation is installed immediately below the membrane, the type and density of the insulation is of utmost importance. For roofing systems having insulations with a medium density of 20 to 40 psi (137.9 to 275.8 kPa), Bison requires an FIB to be installed immediately below each Bison Pedestal to disperse the deck load. Please refer to Bison specifications for proper use.



### Floating Foundation Base (FFB)

FFBs are required for use beneath all Bison Pedestal decks installed on grade (soil). Level the surface and set the FFB directly on grade as a base below each pedestal.

