

ELB-1048-HH

LED EMERGENCY DRIVER

This LED Emergency Ballast meets ROHS requirements to be used in both normal and emergency operation. In the event of a power failure, the LED Emergency Ballast will switch to "Emergency Mode" and operate the existing fixture for at least 90 minutes. The unit contains a battery, charger and converter circuit in a single can.

TECHNICAL SPECIFICATIONS:

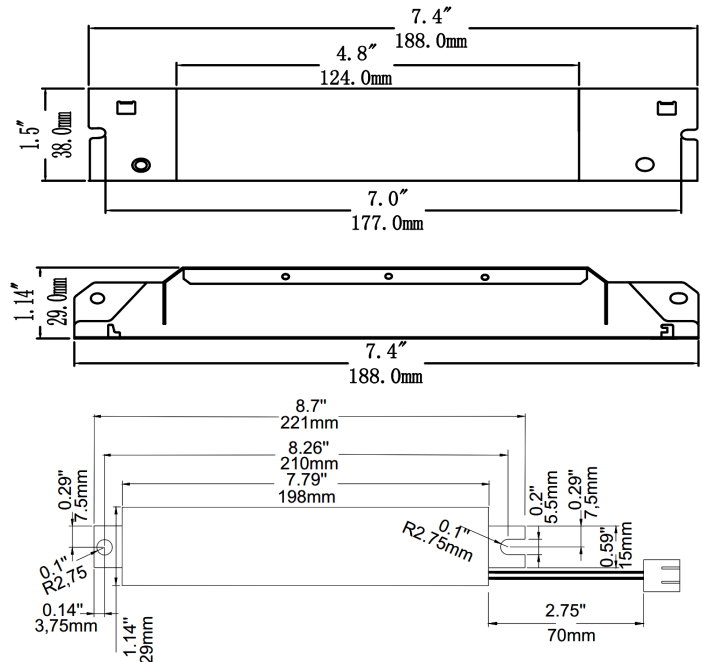
- Input voltage: 100-277VAC, 50/60Hz
- Input power: 7W Max
- AC Input Current: 100mA max
- Output power: 15W
- Recharge Time: 24 hr.
- Operating Temp: 122 °F
- Emergency operation: ≥ 90 minutes
- Battery: LiFePO4

FEATURES:

- Battery protections: over charge protection, over discharge protection, short circuit protection.
- Indicator shows a variety working modes
- The batteries Meet 500 cycles of standard CH and standard DCH
- Standard EN55015, EN61347-2-27, EN60598-2-22
- Meet most of safety standards for lighting

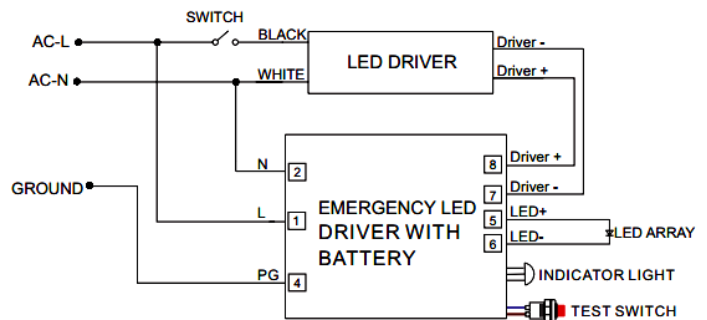
CERTIFICATIONS:

DIMENSIONS:



MODEL	INPUT POWER	INPUT VOLTAGE	OUTPUT POWER	EMERGENCY TIME
ELB-1048-HH	7W MAX	100~277 VAC	15W MAX	90 min

TYPICAL WIRING DIAGRAM:



NOTE:

- DO NOT MATE CONNECTOR UNTIL INSTALLATION IS COMPLETE AND AC POWER IS SUPPLIED.
- TEST ACCESSORY LEADS-OBSERVE PROPER POLARITY WIRING.



JOB NAME: _____

DATE: _____

TYPE: _____

ELB-0848-HH

LED EMERGENCY DRIVER

MODEL	INPUT POWER	INPUT VOLTAGE	OUTPUT POWER	EMERGENCY TIME
ELB-1048-HH	7W MAX	100~277 VAC	15W MAX	90 min

SAFETY INSTRUCTIONS:

- Risk of fire or electric shock. Luminaire wiring and electrical parts may be damaged when drilling for installation of LED emergency driver. Check for enclosed wiring and components. Indicator shows a variety working modes
- Risk of fire or electric shock. This LED emergency driver installation requires knowledge of luminaires electrical systems. If not qualified not attempt installation. Contact a qualified electrician
- Before installing, make certain the AC power to the fixture is off.
- The electrical rating of this product is 100-277Vac, Installer must confirm that there is 100-277Vac the fixture before installation.
- To prevent electrical shock, only mate unit connector after installation is complete and before the AC power to the fixture is back on.
- Do not use outdoors.
- This LED emergency driver unit requires an un-switched AC power source of 100-277Vac, 50/60Hz. The AC driver must be on the same branch circuit as the LED emergency driver unit.
- Do not let power supply cords touch hot surfaces.
- Do not mount near gas or electric heaters.
- Do not join battery pack connector until all other wiring is complete and AC power is on.

