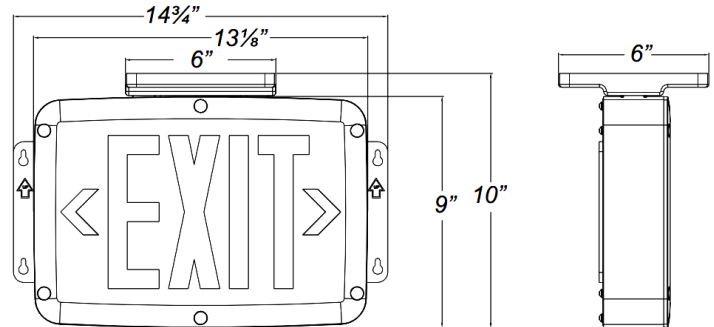




- | | |
|------------------|------------------|
| XTN4X-1RW | XTN4X-2RW |
| XTN4X-1RB | XTN4X-2RB |
| XTN4X-1RG | XTN4X-2RG |
| XTN4X-1GW | XTN4X-2GW |
| XTN4X-1GB | XTN4X-2GB |
| XTN4X-1GG | XTN4X-2GG |

DIMENSIONS:



MODEL	VOLTAGE	NUMBER OF FACEPLATES	FACEPLATE	BATTERY	LETTERS COLOR
XTN4X-1RW	Dual 120-277V	Single	White	N/A	Red
XTN4X-1RB	Dual 120-277V	Single	Black	N/A	Red
XTN4X-1RG	Dual 120-277V	Single	Gray	N/A	Red
XTN4X-1GW	Dual 120-277V	Single	White	N/A	Green
XTN4X-1GB	Dual 120-277V	Single	Black	N/A	Green
XTN4X-1GG	Dual 120-277V	Single	Gray	N/A	Green
XTN4X-2RW	Dual 120-277V	Double	White	N/A	Red
XTN4X-2RB	Dual 120-277V	Double	Black	N/A	Red
XTN4X-2RG	Dual 120-277V	Double	Gray	N/A	Red
XTN4X-2GW	Dual 120-277V	Double	White	N/A	Green
XTN4X-2GB	Dual 120-277V	Double	Black	N/A	Green
XTN4X-2GG	Dual 120-277V	Double	Gray	N/A	Green

NEMA 4X LED EXIT SIGN

ELECTRICAL SPECIFICATIONS:

- Voltage: dual 120V/277V

HOUSING SPECIFICATIONS:

- Reinforced polycarbonate Housing with white, gray, black finish
- Universal knockout pattern on back provided with gasket for watertight seal for back mount
- Polycarbonate mounting canopy included for top or end mount.
- EZ snap-out Chevron directional indicators
- Single or double faceplates
- NEMA4X rated
- Operating Temperature: -4°F to 122°F
- IP Rating: IP66 Suitable for wet location

CERTIFICATIONS: UL



TECHNICAL SPECIFICATIONS:

- LED indicator light alerts on battery condition
- Fully automatic solid-state, two-rate charger initiates battery charging to recharge a discharged battery in 24 hours

WARRANTY: 3 years

- Meets UL924, NFPA101 Life Safety Code, NEC, OSHA, Local and State Codes

