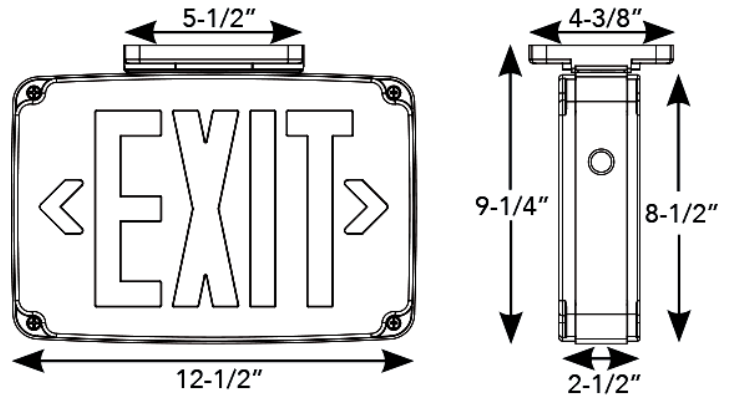




- | | |
|---------------------|---------------------|
| XT-WP-1RG-EM | XT-WP-2RG-EM |
| XT-WP-1RB-EM | XT-WP-2RB-EM |
| XT-WP-1GG-EM | XT-WP-2GG-EM |
| XT-WP-1GB-EM | XT-WP-2GB-EM |

DIMENSIONS:



MODEL	VOLTAGE	NUMBER OF FACEPLATES	FACEPLATE	BATTERY	LETTERS COLOR
XT-WP-1RG-EM	Dual 120-277V	Single	Gray	Ni-Cad	Red
XT-WP-1RB-EM	Dual 120-277V	Single	Black	Ni-Cad	Red
XT-WP-1GG-EM	Dual 120-277V	Single	Gray	Ni-Cad	Green
XT-WP-1GB-EM	Dual 120-277V	Single	Black	Ni-Cad	Green
XT-WP-2RG-EM	Dual 120-277V	Double	Gray	Ni-Cad	Red
XT-WP-2RB-EM	Dual 120-277V	Double	Black	Ni-Cad	Red
XT-WP-2GG-EM	Dual 120-277V	Double	Gray	Ni-Cad	Green
XT-WP-2GB-EM	Dual 120-277V	Double	Black	Ni-Cad	Green

WET LOCATION LED EXIT SIGN

ELECTRICAL SPECIFICATIONS:

- Voltage: Dual 120-277V
- Wattage: 3.2W(Red) & 3.8W(Green)

HOUSING SPECIFICATIONS:

- Universal canopy for side or top mounting on wall or ceiling
- Single or double faceplates
- Left or right arrow (Chevron)
- Cold weather -4°F minimum operation temperature
- Low profile compact design, available in white or black housing
- Mounting accessories included
- Suitable for wet location

CERTIFICATIONS: UL



TECHNICAL SPECIFICATIONS:

- Optional Dual circuit (One acting as back up to the other)
- Optional self diagnostics test
- Solid state electronics and charger board
- Push-to-test switch
- 90 min rate with push style test switch and red indicator light
- Specification grade exit with Premium high-output ultra bright LEDs

WARRANTY: 3 years

- Meets UL924, NFPA life safety code, Local and State codes, NEC, OSHA

