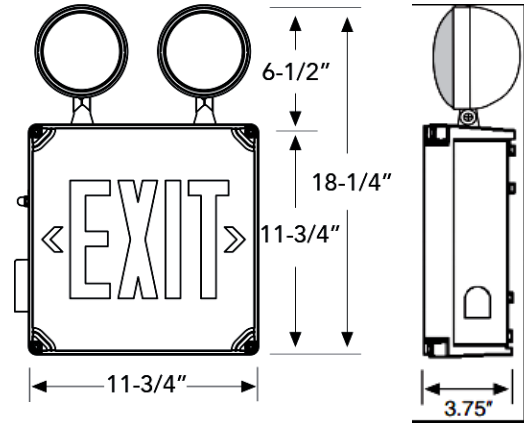




XT-CWP-RG-EM
XT-CWP-GG-EM

DIMENSIONS:



WET LOCATION COMBINATION EXIT SIGN & EMERGENCY

ELECTRICAL SPECIFICATIONS:

- Voltage: Dual 120-277VAC
- Wattage: 3.2W (Red)/3.8W(Green)
- Incandescent Wattage: 5.4W

HOUSING SPECIFICATIONS:

- Universal single faceplate
- EZ snap-out left or right arrow knock outs
- Enclosure grade silicone gasket
- Provide K/O chevrons
- Top canopy included for ceiling installation
- Mounting: wall (back) & ceiling
- Wall Mounting accessories included
- Operating temperature: 68°F ~ 122°F
- Suitable for wet location

CERTIFICATIONS: ETL



MODEL	WATTS	INCANDESCENT WATTS	VOLTAGE	NUMBER OF FACEPLATE	BATTERY
XT-CWP-RG-EM	3.2W	5.4W	Dual 120~277VAC	Single	Ni-Cad
XT-CWP-GG-EM	3.8W	5.4W	Dual 120~277VAC	Single	Ni-Cad

MODEL	LETTERS COLOR	FACEPLATE COLOR
XT-CWP-RG-EM	Red	Gray
XT-CWP-GG-EM	Green	Gray

TECHNICAL SPECIFICATIONS:

- Two fully adjustable 5.4 watts incandescent, glare-free heads for safe egress
- High-impact thermos-plastic LED exit and emergency light
- High performance reflector
- Even illumination across the face without LED imaging
- Lens: tempered glass lens/polycarbonate clear lens
- 6v maintenance-free sealed Ni-Cad rechargeable battery for long life
- 90-minute rated with push style test switch and red indicator light

WARRANTY: 3 years

- Meets UL924, NFPA life safety code, Local and State codes, NEC, OSHA

