

WPV SERIES Outdoor Lighting

WPV-12W-MCT-DT
VANDAL-PROOF OUTDOOR WALL LIGHT
MCT Multi Color Temperature (Selectable)

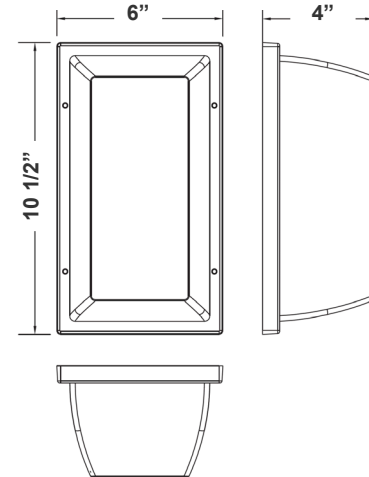


LED Versatile Wall Pack is ideal for general site lighting, loading docks, doorway, pathway and parking areas.

Customer Name: _____

Project Name: _____

Note: _____ Type: _____



10 1/2"(H) x 6"(W) x 4"(D)

Features

- High Light Transmittance, Anti-UV and Fire Resistant Shatterproof PC Lens
- High Lumen
- ADC12 Aluminum Heat Sink, Outdoor Powder Coated
- Vandal Resistant Housing Ideal for Exposed Areas
- 7-Year Warranty

Technical Specifications

Electrical:

- Voltage: 120V AC 60Hz
- Wattage: 12W
- Power Factor: >0.90
- Efficacy: 80 LPW

Mechanical:

- Steel Housing
- High Light Transmittance, Anti-UV and Fire Resistant Shatterproof PC Lens
- Operating Temperature: -40°F ~ 104°F
- Lifespan: 70000 Hours
- 7-year Warranty
- IP rating: IP54, Wet Locations

Lighting:

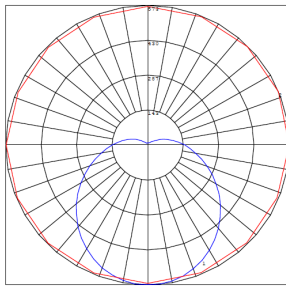
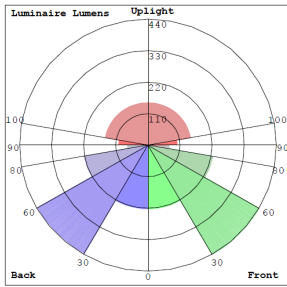
- Dimmable: TRIAC Dimming
- High Light Transmittance, Anti-UV and Fire Resistant Shatterproof PC Lens
- Lumens Range: 960LM
- Color Temperatures: 3000K/4000K/5000K
- Color Rendering Index: CRI ≥ 70
- Beam Angle: 110°X130°

Applications:

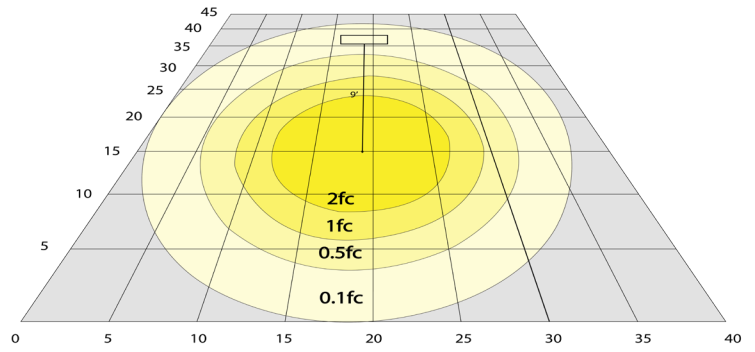
- Ideal for general site lighting, alleys, loading docks, doorway, pathway and parking areas.



Photometrics: WPV-12W-MCT-DT



BUD Rating: B1-U3-G1



Simulation based on 4000K Area 45' x 40' Mounting Height: 9'

Other Views:



Side View



Front View



Back View

Performance Table: WPV-12W-MCT-DT

MODEL NO.	Wattage	Voltage	Lumens	Color Temp.	BUG Rating	LPW
WPV-12W-MCT-DT	12W	120V	960LM	3000K 4000K 5000K	B1-U3-G1	80

Sample Ordering

Model	Wattage	Color Temp.	Dimming
WPV	12W	MCT	DT

Factory-Installed Options:

Blank = No Option For Accessories
 OPT-EM-WMV = EMERGENCY BACKUP INTERNAL BATTERY, BACK BOX
 OPT-SEN-3MRLV-5= PROGRAMMABLE MICROWAVE BI-LEVEL SENSOR
 OPT-PC-B = PHOTOCELL 120-277V
 OPT-CLR-70(BK/GR/SR/WH) = COLOR PAINT
 OPT-CLR-70MC (260 SET UP FEE PER PROJECT) = COLOR PAINT
 WEC-8RC = REMOTE CONTROL
 OPT-TRS-T20 = TAMPER RESISTANT SCREW

FACTORY-INSTALLED OPTIONS:



OPT-EM-WMV



OPT-PC-B



OPT-SEN-3MRLV-5



WEC-8RC

