

# WPAX SERIES Outdoor Lighting

WPAX-100W-MCTP

**MCTP** Multi Color Temperature & Multi Power/Wattage (Selectable)

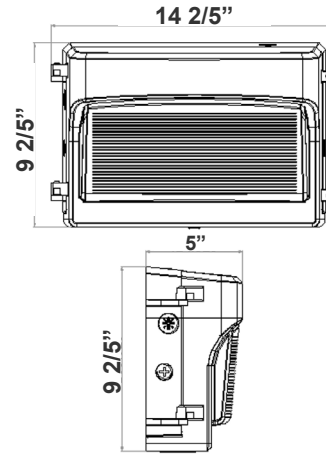


Customer Name: \_\_\_\_\_

Project Name: \_\_\_\_\_

Note: \_\_\_\_\_

Type: \_\_\_\_\_



**14 2/5" (W) x 9 2/5" (H) x 5" (D)**

Ideal for general site lighting, alleys, loading docks, doorway, pathway, and parking areas. Great for use with motion sensors or another instant on/off controls.

## Features

- High Light Transmittance, Anti-UV and Fire Resistant PC Lens
- Two 1/2" Knockouts on Each Side
- Die-Cast Aluminum With Powder Coat Finish (Dark Bronze)
- 7-Year Warranty
- Multi CCT and Power (Switches are inside fixture)

## Technical Specifications

### Electrical:

- Voltage: 120-277V AC 60Hz
- Wattage: 60W/80W/100W
- Power Factor: >0.9
- THD: <20%
- Efficacy: 130 LPW

### Mechanical:

- Die-Cast Aluminum With Powder Coat Finish
- High Light Transmittance, Anti-UV and Fire Resistant Shatterproof PC Lens
- DC Button Photocell with ON/OFF switch Included
- Two 1/2" Knockouts on Each Side
- Operating Temperature: -40°F -113°F
- Wet Location
- 7-Year Warranty
- IP65

### Lighting:

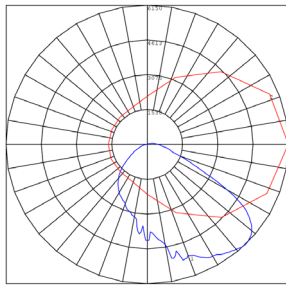
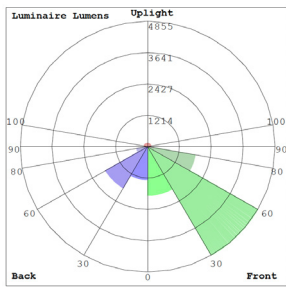
- Dimming: 0~10V Dimmable
- Multi CCT and Power (Switches are inside fixture)
- Lumileds 2835, High CRI.
- Total Lumens: 13000LM Max
- Color Temperatures: 3000K/4000K/5000K
- Color Rendering Index: CRI ≥ 80
- Beam Angle: H127° x V85°
- Rated life: 70,000 Hrs

### Applications:

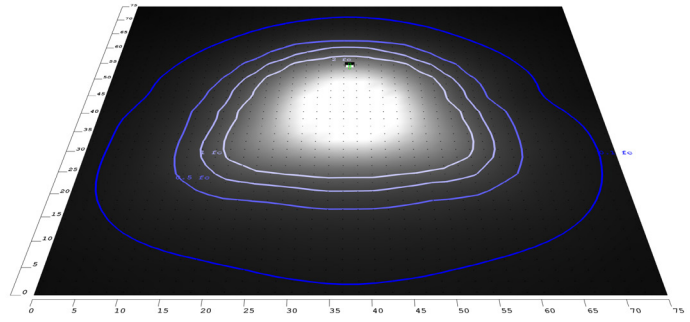
- Entrance Lighting
- Courtyard Lighting
- Industrial Lighting
- Outdoor Landscape Lighting
- Building The hotel
- Wall Lighting Area And So On



## Photometrics: WPAX-100W-MCTP



BUD Rating: B3-U3-G3



Area 75'x 75' Mounting Height: 8'

## Other Views:



Side View



Front View



Back View

## Performance Table: WPAX-100W-MCTP

MODEL NO.	Wattage	Voltage	Lumens	Color Temp.	BUG Rating	LPW
WPAX-100W-MCTP	60W	120~277V	7800LM	3000K 4000K 5000K	B3-U3-G3	130
	80W		10400LM			
	100W		13000LM			

## Sample Ordering

Model Wattage Color Temp.

WPAX - 100W - MCTP

## Factory-Installed Option:

Blank = No Option For Accessories

OPT-EM-OD3INT = INTERNAL EMERGENCY BACK UP BATTERY

OPT-SEN-3MRLV-5 = PROGRAMMABLE MICROWAVE SENSOR

OPT-WP-480V = CHANGE VOLTAGE TO 480V

## FACTORY-INSTALLED OPTION:



OPT-EM-OD3INT



OPT-SEN-3MRLV-5

