

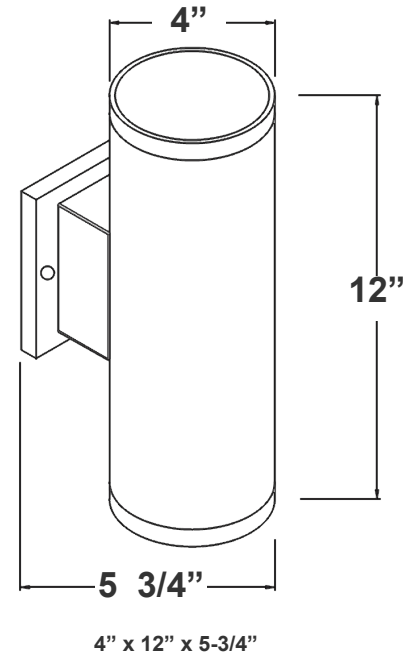
# WMC4 SERIES Outdoor Lighting

WMC4-UDL-MCTP-BK-DD-P  
WMC4-UDL-MCTP-BR-DD-P  
WMC4-UDL-MCTP-BN-DD-P  
WMC4-UDL-MCTP-AZ-DD-P  
WMC4-UDL-MCTP-WH-DD-P  
4" LED CYLINDER LIGHTS, 120-277V WITH PHOTOCELL CUP/DOWN LIGHT)  
**MCTP** Multi Color Temperature & Multi Power/Wattage (Selectable)

Customer Name: \_\_\_\_\_  
Project Name: \_\_\_\_\_  
Note: \_\_\_\_\_ | Type: \_\_\_\_\_



The 6" LED Cylinder Light offers versatile illumination with both up and down lighting capabilities, perfect for enhancing architectural features in commercial and residential applications. Operating on a wide voltage range of 120-277V, this sleek, energy-efficient fixture includes a photocell for automatic dusk-to-dawn operation. With durable construction and modern aesthetics, it's ideal for outdoor facades, entryways, and walkways, providing reliable, energy-saving lighting that adapts to changing daylight conditions.



## Features

- LED: COB Technology with Prismatic Reflector and Frosted Lens
- Housing: Die-Cast Aluminum
- Outdoor Wall Cylinders
- 7-Year Warranty
- MCTP: Multi Color Temperature & Multi Power/Wattage (Selectable Switch Under the Mounting Arm)

## Technical Specifications

### Electrical:

- Voltage: 120-277VAC 60Hz
- Wattage: 2x4.5W/2x9W/2x12W/2x15W
- Power Factor: >0.90
- Efficacy: 80LM/W

### Mechanical:

- Outdoor Wall Cylinders
- Housing: Die-Cast Aluminum
- DC Button Photocell with ON/OFF Switch Included
- Uplight/Downlight with ON/OFF Switch
- Finish: Bronze, Brushed Nickel, White, Black, Antique Bronze
- 7-year Warranty
- IP65, Providing a Reliable Weather-Tight Seal

### Lighting:

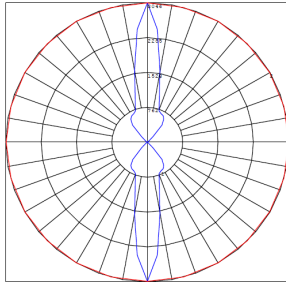
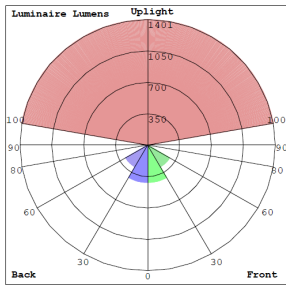
- MCTP: Multi Color Temperature & Multi Power/Wattage (Selectable Switch Under the Mounting Arm)
- Dimming: (Dual Function) Triac Dimmable at 120V & 0-10V Dimming at 120-277V With Installed Emergency Back up Battery
- Lumens Range: 2400LM Max
- LED: COB Technology With Prismatic Reflector and Frosted Lens
- Light Directions: UP and DOWN
- Color Temperatures: 3000K/4000K/5000K
- Color Rendering Index: CRI ≥ 80
- Beam Angle: 40° for Each Side
- Rated Life: 70,000 Hrs

### Applications:

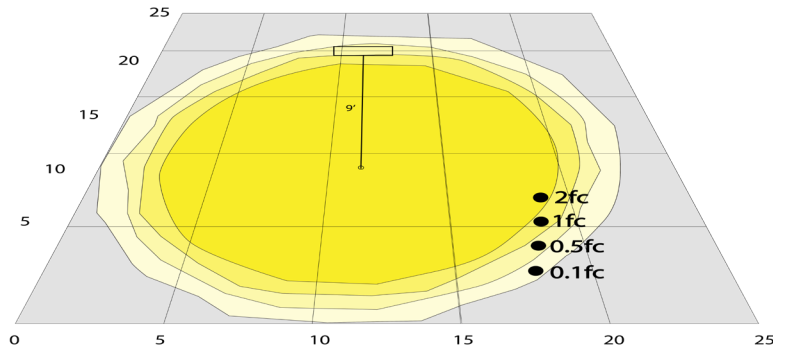
- Ideal for general site lighting, walkways and stairways, alleys, loading docks, doorway, pathway and parking areas



**Photometrics:** WMC4-UDL-MCTP-DD-P



BUD Rating: B1-U5-G0



Area 25'x 25' Mounting Height: 9'

**Other Views:**

WMC4-UDL-MCTP-BK-DD-P



Lens View



Side View



Front View



Back View

WMC4-UDL-MCTP-BR-DD-P



Lens View



Side View



Front View



Back View

WMC4-UDL-MCTP-BN-DD-P



Lens View



Side View

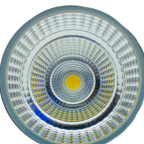


Front View



Back View

WMC4-UDL-MCTP-WH-DD-P



Lens View



Side View



Front View



Back View

WMC4-UDL-MCP-AZ-DD-P



Lens View



Side View



Front View



Back View



**Performance Table:** WMC4-UDL-MCTP-DD-P

MODEL NO.	Wattage	Voltage	Lumens	Color Temp.	BUG Rating	LPW
WMC4-UDL-MCTP-BK-DD-P	2x4.5W 2x9W 2x12W 2x15W	720LM	960LM	3000K	B1-U5-G0	80
WMC4-UDL-MCTP-BR-DD-P		1440LM	1280LM	4000K		
WMC4-UDL-MCTP-BN-DD-P		1920LM	1600LM	5000K		
WMC4-UDL-MCTP-WH-DD-P		2400LM				
WMC4-UDL-MCTP-AZ-DD-P						

## Sample Ordering

**Model Light Direction Color Temp. Housing Color Dual Dimming Photocell**

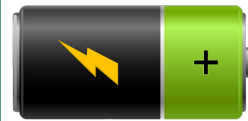
WMC4 - UDL - MCTP -  - DD - P

BK = Black  
BR = Bronze  
BN = Brushed Nickel  
WH = White  
AZ = Antique Bronze

### Factory-Installed Options:

Blank = No Option For Accessories  
OPT-EM-WMC= EMERGENCY BACKUP INTERNAL BATTERY, BACK BOX  
OPT-227V = FACTORY-INSTALLED OPTION TO CONVERT TO 277V  
OPT-SEN-WMC= PROGRAMMABLE MICROWAVE BI-LEVEL SENSOR  
WEC-8RC = REMOTE CONTROL

### FACTORY-INSTALLED OPTIONS:



OPT-EM-WMC



OPT-SEN-WMC



WEC-8RC

