

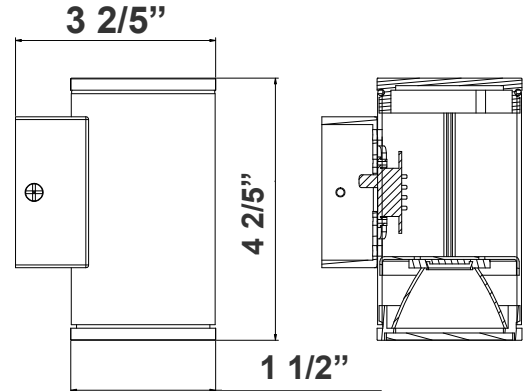
WMC1 SERIES LANDSCAPE LIGHTING

WMC1-12V-DL-MCT-BN
WMC1-12V-DL-MCT-ORB
WMC1-12V-DL-MCT-BK
12V 1.6in LED WALL CYLINDERS, 25°

MCT Multi Color Temperature (Selectable)



Customer Name: _____
Project Name: _____
Note: _____ Type: _____



1 1/2" (W) x 4 2/5" (H) x 3 2/5" (D)

Ideal for general site lighting, walkways, and stairways, alleys, loading docks, doorway, pathway and parking areas

Features

- Finish: Brushed Nickel & Oil-Rubbed-Bronze
- Multi CCT (Selectable Switch on the Back of the Bracket, Protected by Silicon Cover to be Waterproof)
- 7-Year Warranty
- Outdoor Down Light

Technical Specifications

Electrical:

- Voltage: 12V AC
- Power Factor: >0.90
- Wattage: 3W
- Efficacy: 100 LPW
- THD: <20%

Mechanical:

- Housing: Die-cast Aluminum & Glass
- Finish: Brushed Nickel & Oil-Rubbed-Bronze
- Maximum Ambient Temperature: -68°F to 104°F
- Suitable for Wet Location
- 7-Year Warranty

Lighting:

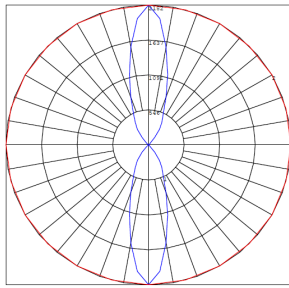
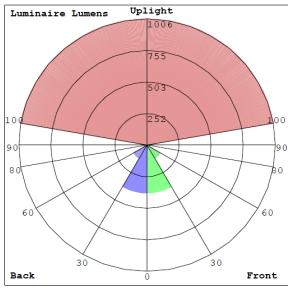
- Dimming: TRIAC Dimming (Using Standard TRIAC LED Dimmers)
- Total Lumens: 300LM
- Color Temperatures: 3000K/4000K/5000K
- Multi CCT (Selectable Switch on the Back of the Bracket, Protected by Silicon Cover to be Waterproof)
- Color Rendering Index: CRI ≥ 80
- Rated life: 70,000 hrs
- Beam angle: 25°

Applications:

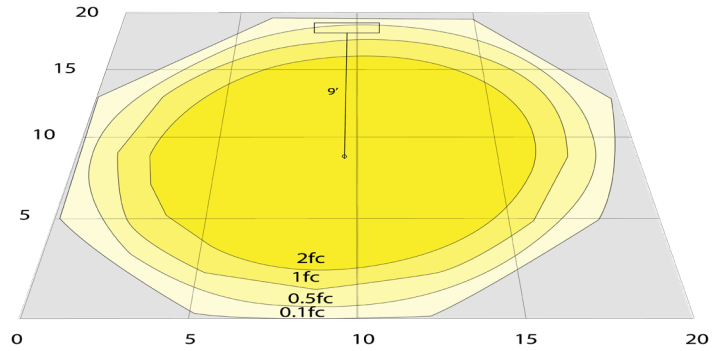
- Ideal for general site lighting, walkways, and stairways, alleys, loading docks, doorway, pathway and parking areas



Photometrics: WMC1-12V-DL-MCT



BUG Rating: B1-U5-G0



6W 5000K Area 20'x 20' Mounting Height: 9'

Performance Table: WMC1-12V-DL-MCT

MODEL NO.	Wattage	Voltage	Lumens	Color Temp.	BUG Rating	LPW
WMC1-12V-DL-MCT-BN WMC1-12V-DL-MCT-ORB WMC1-12V-DL-MCT-BK	3W	12V	300LM	3000K/ 4000K/ 5000K	B1-U5-G0	100

Sample Ordering

Model Voltage Light Direction Color Temp. Finish

WMC1 - 12V - DL - MCT -

BN = Brushed Nickel
ORB = Oil-Rubbed Bronze
BK = Black

