



Model: WEC-3MPC

Product Features:

- Wide range of working voltage (100~277VAC)
- Maximum load power 1200W
- IP65
- Apply to outdoor fixtures
- 5 years warranty

Application :

Indoor and outdoor lighting fixtures, lighting fixture system, Electrical control box

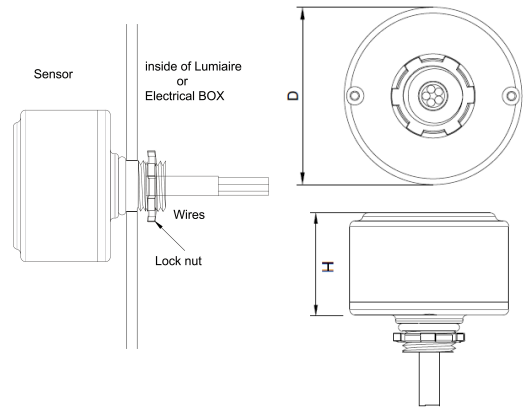
Certificate :

UL@UL773A
CE (LVD @ EMC)

Specifications:

Input voltage	100-277Vac 50/60Hz
	120VAC 50/60Hz 5A LED Driver
	277VAC 50/60Hz 3A LED Driver
Rated load	120VAC 50/60Hz 800W Standard Ballast / Tungsten
	277VAC 50/60Hz 1200W Standard Ballast / Tungsten
Power consumption	0.5W Max.
Turn on brightness	30-60Lux
Turn off brightness	100-150Lux
Operating temperature	-35C°~60C°
IP RATING	IP65

Dimension Install :



D=61.5mm

Mounting thread: 1/2" -14T NPS H=38.5mm

Wiring diagram :

