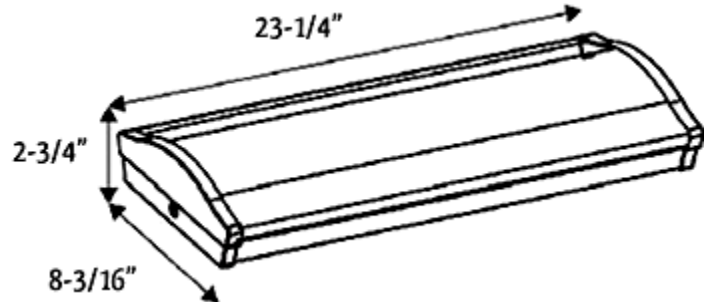




DIMENSIONS:

23-1/4" (L) x 8-3/16" (W) x 2-3/4" (H)



- WA-2FT-25W-50K-D**
- WA-2FT-25W-40K-D**
- WA-2FT-25W-35K-D**
- WA-2FT-25W-MCT-D**

LED WRAP-AROUND LIGHT

The LED Wrap-Around Light is a cost-effective, energy-efficient utility lighting fixture for surface-mount applications such as corridors, stairwells, public rooms, schools, hospitals, and utility areas.

ELECTRICAL SPECIFICATIONS:

- Voltage: 100-277VAC 50/60Hz
- Wattage: 25W
- Power factor: >0.95
- Efficacy: 100LM/W

HOUSING SPECIFICATIONS:

- Cold Rolled Steel with (White) powder coated finish
- Opal PC lens
- Operating temperature: -22°F~107.6°F
- Lifespan: 50000 Hrs.
- IP rating: Dry Locations Only

CERTIFICATIONS: UL



MODEL	WATTS	VOLTAGE	LUMENS	COLOR TEMP
WA-2FT-25W-50K-D	25W	100~277V AC	2750LM	5000K
WA-2FT-25W-40K-D	25W	100~277V AC	2750LM	4000K
WA-2FT-25W-35K-D	25W	100~277V AC	2750LM	3500K
WA-2FT-25W-MCT-D	25W	100~277V AC	2800LM	MCT

LIGHTING SPECIFICATIONS:

- Dimming: 0~10V dimmable
- Total lumens: 2750LM/2800LM
- Color temperature: 3000K/4000K/5000K
MCT: 3000K/4000K/5000K
- Color rendering index: >82

WARRANTY: 5 years

