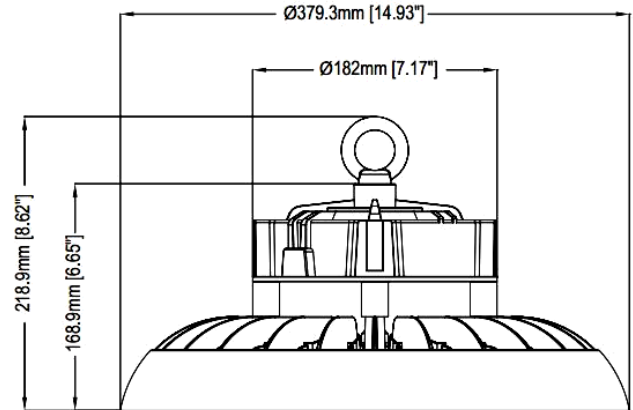




DIMENSIONS:

13"(D) x 8.46"(H)



ULHB-200W-50K-480V

LED HIGH-LUMEN UFO HIGH BAY

Ideal for general site lighting, alleys, loading docks, doorway, pathway and parking areas.

ELECTRICAL SPECIFICATIONS:

- Voltage: 480V
- Wattage: 200W
- Power factor: >0.9
- Efficacy: 130LM/W
- THD: <20%

HOUSING SPECIFICATIONS:

- Housing: ACD12 aluminum heat sink, SUS black plate. outdoor powder coating
- Aluminum LED Board: High conductive, waterproof, aging resistant, salt mist resistance, long-life
- Cord type: 6' SJTW 18/3 AWG cable
- Operating temperature: -4°F ~ 122°F

CERTIFICATIONS: UL, DLC



| MODEL | WATTS | VOLTAGE | LUMENS | COLOR TEMP |
|--------------------|-------|---------|----------|------------|
| ULHB-200W-50K-480V | 200W | 480V | 26000 LM | 5000K |

LIGHTING SPECIFICATIONS:

- Dimming: 0~10Dimmable
- Total lumens: 26000LM
- Color temperature: 5000K
- Color rendering index: >80
- Beam angle: 110°

WARRANTY: 7 years



ULHB-200W-50K-480V

LED HIGH-LUMEN UFO HIGH BAY

| MODEL | WATTS | VOLTAGE | LUMENS | COLOR TEMP |
|--------------------|-------|---------|----------|------------|
| ULHB-200W-50K-480V | 200W | 480V | 26000 LM | 5000K |

OPTIONAL ACCESORIES:



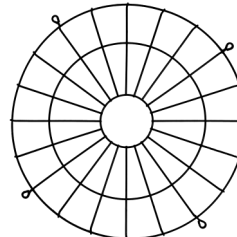
ULHB-PCR-200/240/300



ULHB-ALR-200/240/300



ULHB-90KIT-200/240/300



ULHB-WG-200/240/300



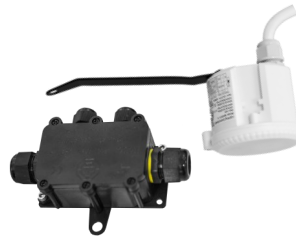
ULHB-SC-200/240/300



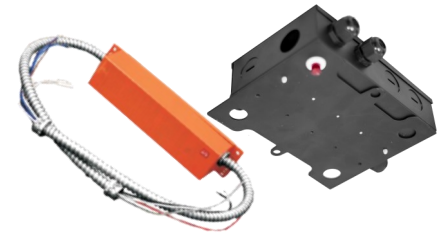
ULHB-PCC-200/240/300



ULHB-SMB-200/240/300



ULHB-SK



ULHB-EMK

| MODEL | DESCRIPTION |
|------------------------|---|
| ULHB-PCR-200/240/300 | Polycarbonate Reflector for 200W & 240W & 300W |
| ULHB-ALR-200/240/300 | Aluminum Reflector for 200W & 240W & 300W |
| ULHB-90KIT-200/240/300 | 90° Degree Reflector and Glass Kit for 200W & 240W & 300W (Conversion from default 110° beam angle) |
| ULHB-WG-200/240/300 | Wire Guard for 200W & 240W & 300W |
| ULHB-SC-200/240/300 | Safety Cable for 200W & 240W & 300W |
| ULHB-PCC-200/240/300 | Polycarbonate Cover for 200W & 240W & 300W (for ULHB-PCR-200/240/300 only) - Increases heat captured in the reflector. Not recommended when not necessary. |
| ULHB-SMB-200/240/300 | Surface Mount Bracket for 200W & 240W & 300W |
| ULHB-SK | Ultrasonic Bi-Level (Dimming) Motion Sensor Kit for 120~277V UFO High Bays. Includes special junction box (mounts on fixture), auxiliary cable & push-in connectors |
| ULHB-EMK | Emergency Battery Backup Kit for 120~277V UFO High Bays (All wattages) Emergency output power: 11W~28W, Emergency operation: ≥90 mins., Recharge: 48 Hrs. Includes special junction box with test button (mounts on fixture), auxiliary cables & splicers & push-in connector |

Rev. 2019-01-02



ULHB-200W-50K-480V

LED HIGH-LUMEN UFO HIGH BAY

0~10V DIMMER FOR ULHB:

| MODEL | WATTS | VOLTAGE | LUMENS | COLOR TEMP |
|--------------------|-------|---------|----------|------------|
| ULHB-200W-50K-480V | 200W | 480V | 26000 LM | 5000K |

| MANUFACTURER OF BRAND | MODEL NUMBER |
|-----------------------|---------------|
| Lutron | DVSTV |
| Lutron | DVTV |
| Lutron | DS710 |
| Cooper | SF10P |
| Hubbell | LHD-IRS3-N-WH |

