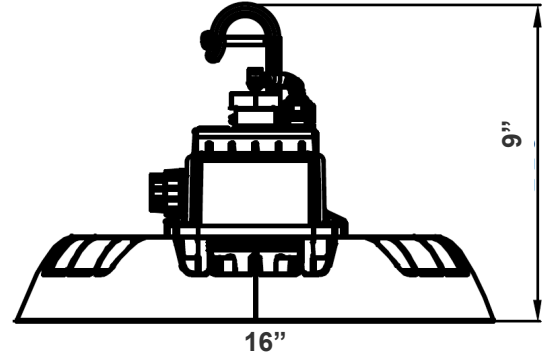


UHX-230W-MCTP-480V

Customer Name: \_\_\_\_\_  
 Project Name: \_\_\_\_\_  
 Note: \_\_\_\_\_ | Type: \_\_\_\_\_



9" (H) X 16" (D)

In a aluminium shell designed for heat dissipation, UHX is IP65 water resistant rated and ideal for general site lighting, alleys, loading docks, doorways, pathways, parking areas, warehouses and storage buildings.

## Features

- Waterproof design, suitable for wet locations
- ADC12 Aluminum Heat Sink, Outdoor Powder Coating Finish
- Optical Lens: PC Materials High Light Transmittance, Anti-UV, Fire-Resistant
- Multi Color Temperature & Multi Power (Selectable Switch Located On The Driver Housing)

## Technical Specifications

### Electrical:

- Input Wattage: 100W/ 150W/ 200W/ 230W
- Input Voltage: 480V AC 50/60Hz
- Power Factor: >0.9
- THD: <20%
- Efficacy: 125 LPW

### Mechanical:

- ADC12 Aluminum Heat Sink, Outdoor Powder Coating Finish
- Optical Lens: PC Materials High Light Transmittance, Anti-UV, Fire-Resistant
- LED: LUMILEDS 2835
- LED PCB Board: High Conductive, Waterproof, Aging Resistance, salt mist Resistance, Ensure the Safety and Long Lifespan
- Operating temperature: -40°F to 122°F
- IP rating: IP65, Wet Locations
- Lifespan: 50,000 Hrs

### Lighting:

- Dimming: 0~10V
- Multi Color Temperature & Multi Power (Selectable Switch Located On The Driver Housing)
- Total Lumens: 12500/ 18750/ 25000/ 28750 LM
- Color Temperatures: 3000K/ 4000K/ 5000K/ 5700K
- Color Rendering index: > 80
- Beam Angle: 110°
- Lifespan: 50,000 Hrs

### Applications:

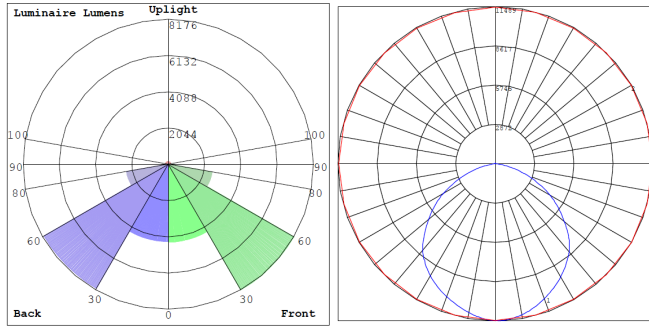
- Ideal for general site lighting, alleys, loading docks, doorway, pathway, parking areas, warehouses and storage buildings.

### Other Models:

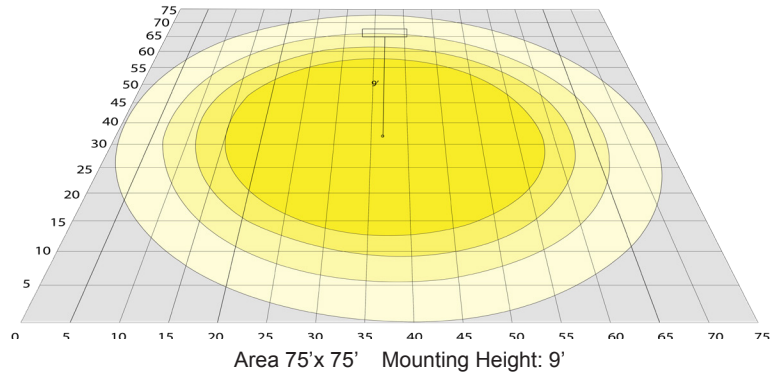
- 230W | 28750LM | UHX-230W-MCTP-WH-480V



## Photometrics: UHX-230W-MCTP-480V



BUG Rating: B4-U3-G2



## Other Views:



Side View



Top View



Bottom View

## Performance Table: UHX-230W-MCTP-480V

MODEL NO.	Wattage	Voltage	Lumens	Color Temp	BUG Rating	LPW
UHX-230W-MCTP-480V	100W	480V	12500LM	3000K	B4-U3-G2	125
	150W		18750LM	4000K		
	200W		25000LM	5000K		
	230W		28750LM	5700K		

## Sample Ordering

**Model**   **Wattage**   **Color Temp.**   **Voltage**

UHX - 230W - MCTP - 480V

## Accessory

**HB-RING** = HIGHBAY TOP RING ADAPTER, 1/2in  
**HB-EB-50/75** = HIGHBAY EXPANSION BUSHING FROM 1/2in TO 3/4"  
**UHX-SMB** = UHX SERIES SURFACE MOUNTING YOKE BRACKET  
**UHX-WG-B** = UHX SERIES WIRE GUARD, FITS ON FIXTURES  
**UHX-SC** = UHX SERIES 11" SAFETY CABLE  
**UHX-ALR-B** = UHX SERIES ALUM. REFLECTOR  
**UHX-ALRW-B** = 90° ALUM. REFLECTOR  
**UHX-PCR-B** = UHX SERIES PRISMATIC PC REFLECTOR  
**UHX-PCDC** = UHX SERIES PC DROP LENS COVER FOR REFLECTORS  
**UHX-PCC** = UHX SERIES PC BOTTOM COVER FOR REFLECTORS  
**UHX-FL-C** = UHX SERIES REPLACEMENT FROSTED GLASS LENS

## Factory-Installed Option:

**Blank** = No Accessory  
**OPT-EM-UHX** = EXTERNAL EMERGENCY BACKUP BATTERY INSTALLED ON TOP OF THE FIXTURE

## Example:

1. UHX-230W-MCTP-480V (FOR UHX 230W MCTP FIXTURE 480V)
2. UHX-230W-MCTP-480V (FOR UHX 230W MCTP FIXTURE 480V)  
HB-RING (HIGHBAY TOP RING ADAPTER, 1/2in)



## ACCESSORIES:



**UHX-PCR-B**  
UHX SERIES  
PRISMATIC PC  
REFLECTOR



**UHX-ALR-B**  
UHX SERIES ALUM  
REFLECTOR



**UHX-PCC**  
UHX SERIES PC  
BOTTOM COVER FOR  
REFLECTORS



**UHX-PCDC**  
UHX SERIES PC DROP  
LENS COVER FOR  
REFLECTORS



**HB-RING**  
HIGHBAY TOP RING  
ADAPTER, 1/2in



**HB-EB-50/75**  
HIGHBAY EXPANSION  
BUSHING FROM 1/2in  
TO 3/4"



**UHX-SMB**  
UHX SERIES SURFACE  
MOUNTING YOKE  
BRACKET



**UHX-WG-B**  
UHX SERIES WIRE  
GUARD, FITS ON  
FIXTURES



**UHX-FL-C**  
UHX SERIES  
REPLACEMENT FROSTED  
GLASS LENS



**UHX-SC**  
UHX SERIES 11"  
SAFETY CABLE

## FACTORY-INSTALLED OPTION:



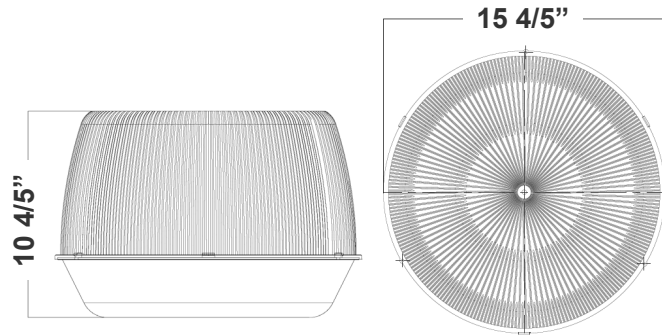
**OPT-EM-UHX**  
EXTERNAL EMERGENCY  
BACKUP BATTERY INSTALLED  
ON TOP OF THE FIXTURE  
(The bracket can be painted)



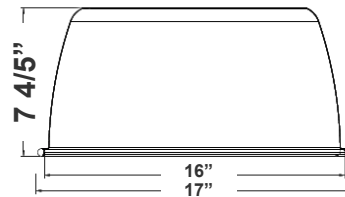
# Dimensions:



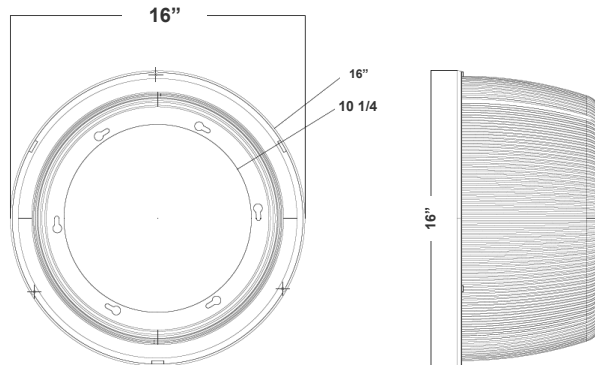
**UHX-PCC**  
UHX SERIES PC BOTTOM COVER  
FOR REFLECTORS



**UHX-ALR-B**  
UHX SERIES ALUM. REFLECTOR



**UHX-PCR-B**  
UHX SERIES PRISMATIC PC  
REFLECTOR



**UHX-PCDC**  
UHX SERIES PC DROP LENS  
COVER FOR REFLECTORS

