

UHL SERIES INDUSTRIAL LIGHTING

UHL-100W-50K
UFO HIGHBAY LAMP

WESTGATE
THE FUTURE IS HERE...AND IT'S QUITE BRIGHT!



SELECTION:

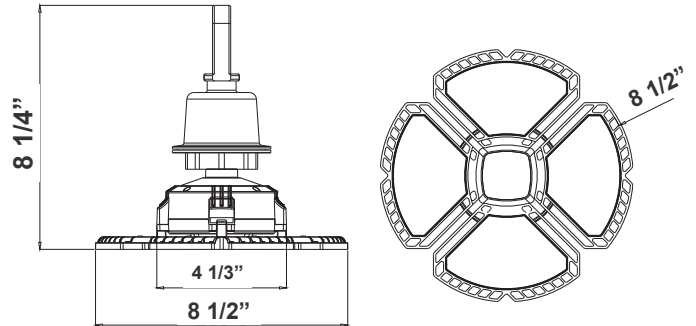


Customer Name: _____

Project Name: _____

Note: _____

Type: _____



8 1/4" (H) X 8 1/2" (D)

The adjustable panel high bay lamps are designed to replace 100W-150W UFO high bay fixtures. Its aluminum housing provides excellent corrosion resistance and heat dissipation. The LED panels can be adjusted from 0 to 90 degrees.

Features

- CFL lamps & UFO Fixtures Alternative
- Adjustable Angels (4 LED Panels)
- Quick Installation - E26 Medium Socket
- 5-Year Warranty
- Lifespan: 50,000 Hrs

Technical Specifications

Electrical:

- Wattage: 100W
- Input Voltage: 120-277V 50/60Hz
- Power Factor: >0.9
- THD: <20%
- Efficacy: 120 LPW

Mechanical:

- Die-Cast Aluminum Housing, Black Finish.
- Adjustable Angles (4 LED Panels)
- E26 Medium Socket on top
- Mounting/Suspension Hook Adapter Included.
- Operating temperature: -4°F to 104°F
- IP rating: IP20, indoor use only
- 5-Year Warranty

Lighting:

- Total Lumens: 12000LM
- Color Temperatures: 5000K
- Color Rendering index: ≥ 80
- Beam Angle: 120°-270° Adjustable
- Lifespan: 50,000 Hrs

Applications:

- Large areas
- Garage
- Barn
- Warehouse
- Workshop
- Gym
- Supermarket

Other Models:

- 150W | 18000LM | UHL-150W-50K

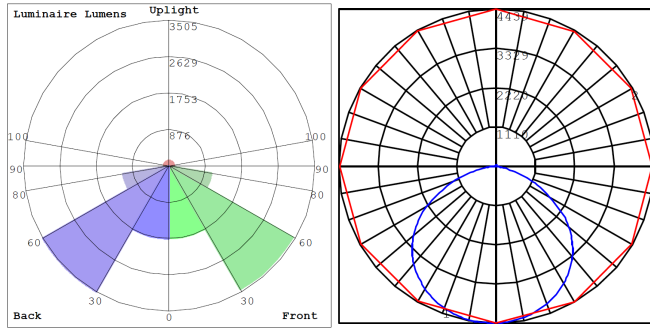


Phone: (877) 805-2252 | Fax: (877) 805-2252
www.westgatemfg.com |

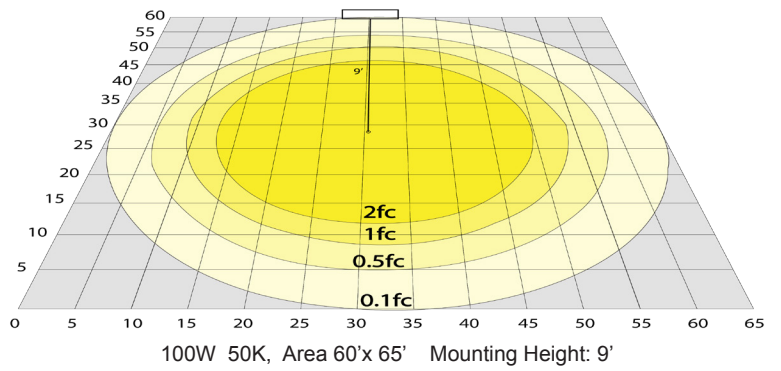


WG-02092022

Photometrics: UHL-100W-50K



BUG Rating: B3-U3-G1



Other Views:



Side View



Front View



Lens View



Hook Adapter Included

Performance Table: UHL-100W-50K

MODEL NO.	Wattage	Voltage	Lumens	Color Temp	BUG Rating	LPW
UHL-100W-50K	100W	120-277V	12000LM	5000K	B4-U3-G1	125

Sample Ordering

Model Wattage Color Temp.

UHL = 100W = 50K

Example:

1. UHX-100W-50K

(FOR UHX 100W 50K FIXTURE 120-277V)

Other Model: UHL-150W-50K



Side View



Front View



Bottom View



Hook Adapter Included

