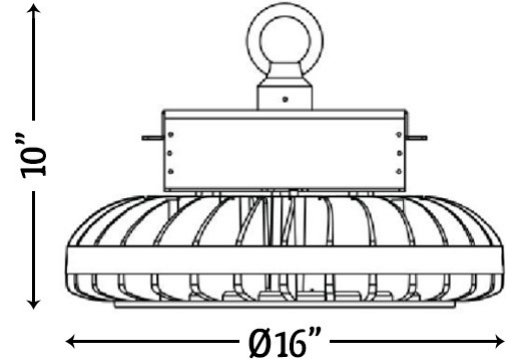


DIMENSIONS:

Ø16"(OD) x 10"(H)



UHB-300-CW - 480V

LED UFO HIGH BAY FIXTURES

Ideal for general site lighting, alleys, loading docks, doorway, pathway and parking areas.

ELECTRICAL SPECIFICATIONS:

- Voltage: 480V 50/60Hz
- Wattage: 300W
- Other wattages: 100W, 150W, 360W
- Power factor: >0.9
- Efficacy: 125LM/W

HOUSING SPECIFICATIONS:

- ACD12 aluminum heat sink, SUS black plate
- Outdoor powder coat finish (Black)
- Operating temperature: -4°F ~ 104°F
- Lifespan: 50000 Hrs.
- IP rating: IP65, Wet Locations
- Prismatic PC lens cover
- Human body induction function (adapter sold separately)

CERTIFICATIONS: UL, DLC



MODEL	WATTS	VOLTAGE	LUMENS	COLOR TEMP
UHB-300-CW-480V	300W	480V	37000 LM	5000K



MODEL	DESCRIPTION
UHB-SMB-300	OPTIONAL SURFACE MOUNT BRACKET FOR 300W & 360W FIXTURES

LIGHTING SPECIFICATIONS:

- LED type/brand: Lumileds
- Total lumens: 37000LM
- Color temperature: 4000K / 5000K
- Color rendering index: >82
- Beam angle: 90°

WARRANTY: 5 years



UHB-300-CW- 480V

LED UFO HIGH BAY FIXTURES

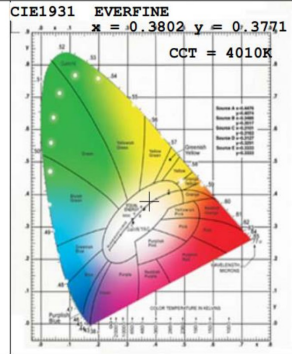
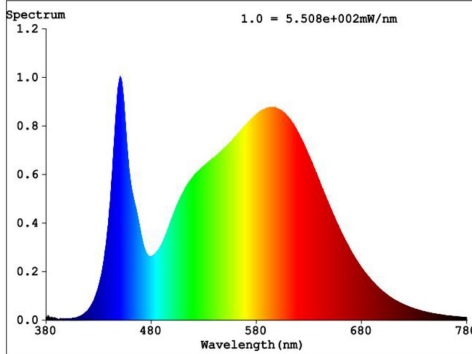
MODEL	WATTS	VOLTAGE	LUMENS	COLOR TEMP
UHB-300-CW-480V	300W	120~277V AC	37000 LM	5000K

CERTIFICATIONS: UL, DLC



PHOTOMETRICS:

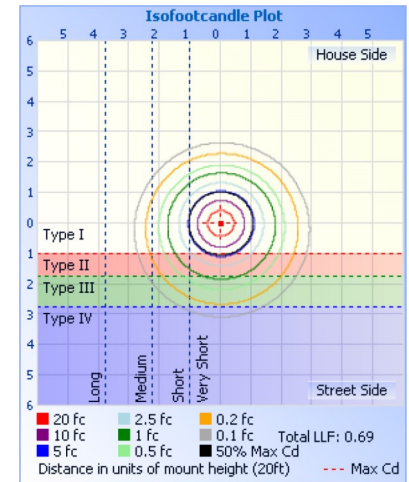
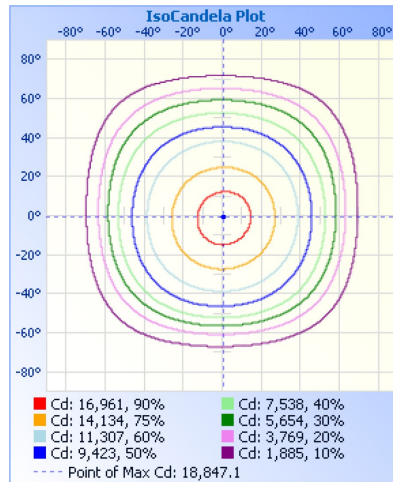
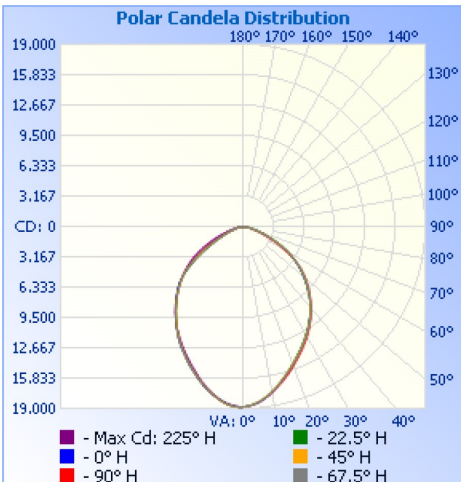
Spectral Power Distribution & Chromaticity Diagram



Illuminance at a Distance

	Center Beam fc	Beam Width	
17.0ft	65.1 fc	35.2 ft	35.3 ft
34.0ft	16.3 fc	70.4 ft	70.6 ft
51.0ft	7.2 fc	105.6 ft	105.9 ft
68.0ft	4.1 fc	140.8 ft	141.2 ft
85.0ft	2.6 fc	176.0 ft	176.5 ft
102.0ft	1.8 fc	211.1 ft	211.8 ft

■ Vert. Spread: 92.0°
■ Horiz. Spread: 92.1°



Rev. 2017-06-12

