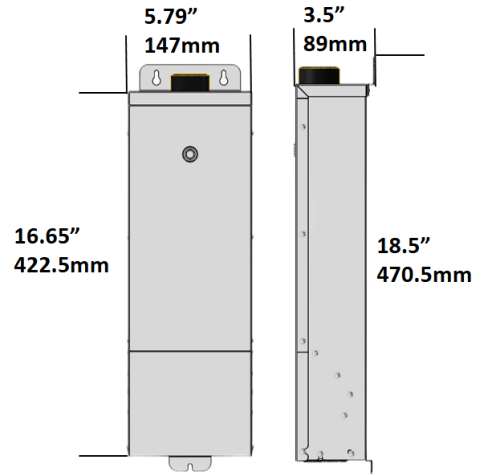




DIMENSIONS:

L 18.5" X W 5.79" X H 3.5"



TR-300W-MT-SS-WIFI

WIFI WG APP MULTI-TAP (12V/13V/14V/15V AC) LANDSCAPE TRANSFORMERS

ELECTRICAL SPECIFICATIONS:

- Voltage: 120V/60Hz
- Wattage: 300W MAX
- Output Voltage: 120V

HOUSING SPECIFICATIONS:

- Finish: Stainless Steel
- Terminal Blocks: 2
- WiFi Bandwidth: 2.5GHz
- WiFi Connection Range: up to 150 feet (46 m) indoors and 300 feet (92 m) outdoors
- Suitable for Indoor and Outdoor use
- Dual Protection:
 - Primary circuit protection: Auto Reset Thermal Circuit Breaker On Core
 - Secondary circuit protection: (1) 25A Magnetic Circuit Breaker
- IP Rating: IP67, Suitable for Wet Locations

CERTIFICATIONS:



ACCESSORIES INCLUDED:



6 Foot plug-in cord included with Transformers

MODEL	WATTS	VOLTAGE
TR-300W-MT-SS-WIFI	300W	120V

WARRANTY: 3 years

