

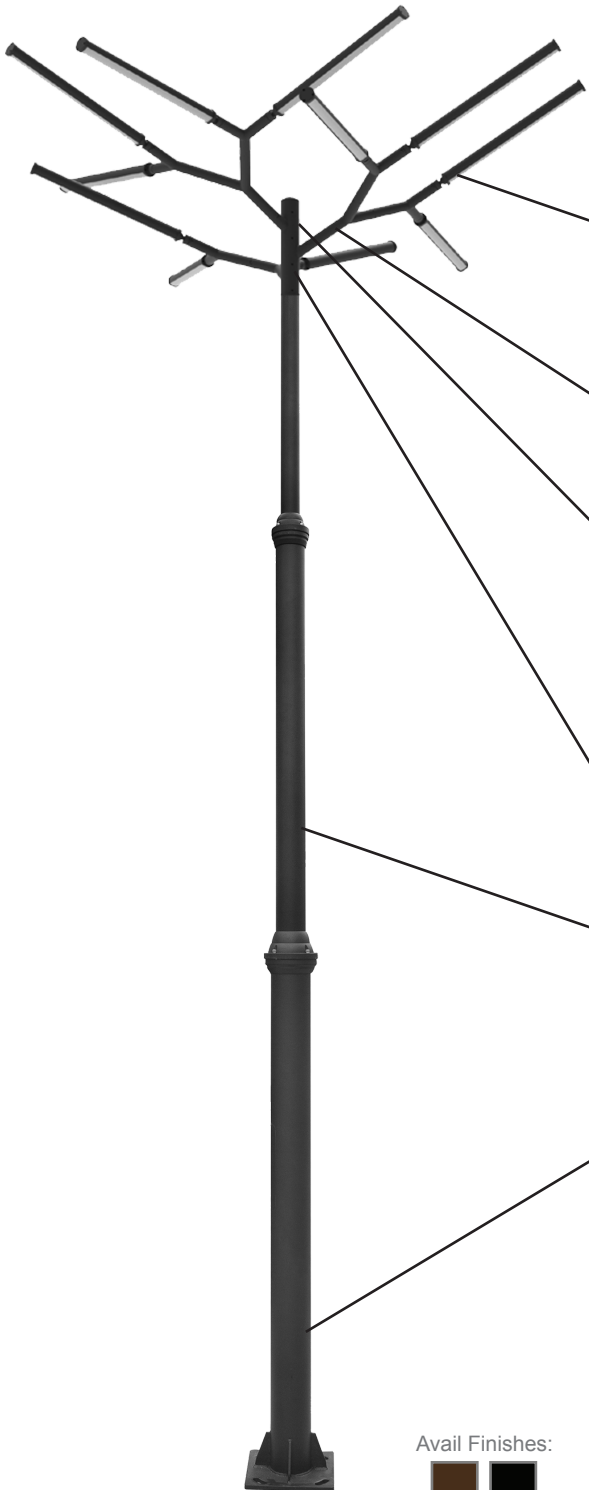
# TOL SERIES Outdoor Lighting

**TOL-REDWOOD-BK**  
TREE OF LIGHT, A NATURAL DESIGNER LIGHT STRUCTURE FOR OPEN AREAS

Customer Name: \_\_\_\_\_

Project Name: \_\_\_\_\_

Note: \_\_\_\_\_ Type: \_\_\_\_\_



**TOL-REDWOOD Components:**

**11 Light Bars - 25W each**

**8 "Y" Connectors**

**1 Top Cap to cover to pole top opening**

**4 Trunks - 2-3/4" Inside Diameter fits over 2-1/2" Round Poles**

**DECORATIVE 3-PIECE LIGHT POLE**  
Shown With POL Pol System, Must be Purchased Separately

Avail Finishes:

The Tree of Light is a stunning outdoor lighting solution that seamlessly blends nature-inspired design with modern functionality. This innovative structure mimics the organic form of a tree, providing ambient illumination for open spaces such as parks, plazas, and garden areas. Crafted with durable materials and energy-efficient LED technology, it offers a harmonious balance of aesthetics and performance, enhancing the atmosphere of any outdoor environment while ensuring long-lasting, sustainable lighting.



# Features

- Tree of Lite - REDWOOD
- Black
- Die-casting Aluminium and extruded Aluminium; Opal PC Lens

# Technical Specifications

## Electrical:

- Voltage: 120-277VAC
- Wattage: 275W
- Power Factor: >0.9
- Efficacy: 125 LPW

## Mechanical:

- Die-casting Aluminium and extruded Aluminium; Opal PC Lens
- Corrosion Resistant Aluminum for Exterior
- Operating Temperature: -40°F to 113°F
- IP Rating: IP65, Wet Locations
- 7 Years Warranty

## Lighting:

- Lumens: 34375LM Max.
- Color Temperatures: 3000K/4000K/5000K
- Color Rendering Index: CRI ≥ 70
- Beam Angle : 180° Each Branch
- Lifespan: 70000 Hours

## Applications:

- Squares
- Street
- Parks

## Performance Table:

MODEL NO.	Wattage	Voltage	Lumens	Color Temp.	LPW
TOL-REDWOOD-BK	275W	120~277V	34375LM	3000K 4000K 5000K	125

# Sample Ordering

Model Height Top Shape Housing

TOL - REDWOOD - BK

## ACCESSORIES:



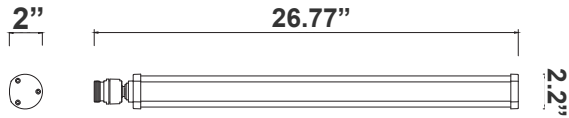
1- Seven "Y" Connectors, Plug-in Connectors Included.

2- Four Trunks, , Plug-in Connectors Included. Inside Diameter 2-3/4"

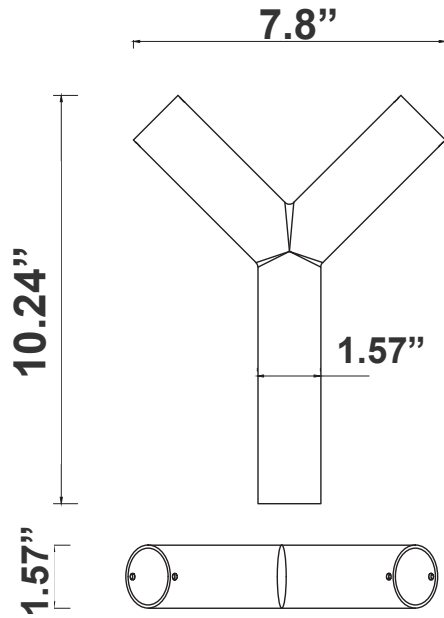
3- One Top Pole Cap



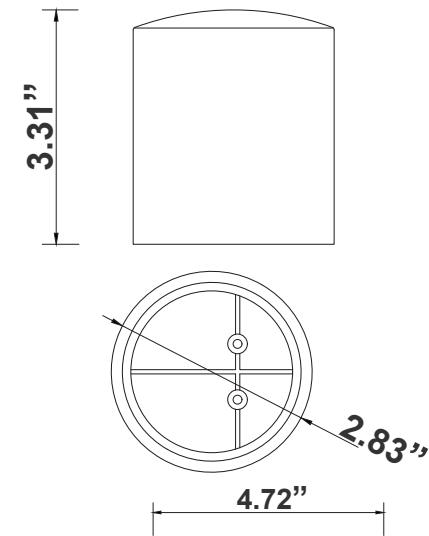
## Components Dimensions:



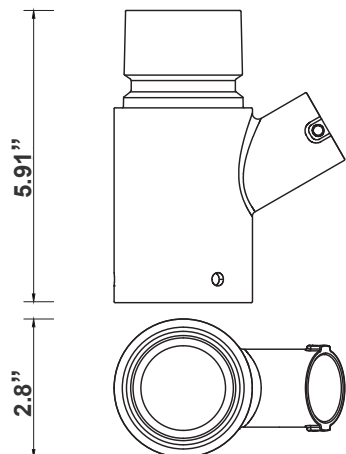
Light Bar  
2.2"(H) x 26.77"(W) x 2"(D)



"Y" Connectors  
10.24"(H) x 7.8"(W) x 1.57"(D)



Top Cap to cover to pole top opening  
3.31"(H) x 2.83"(D)



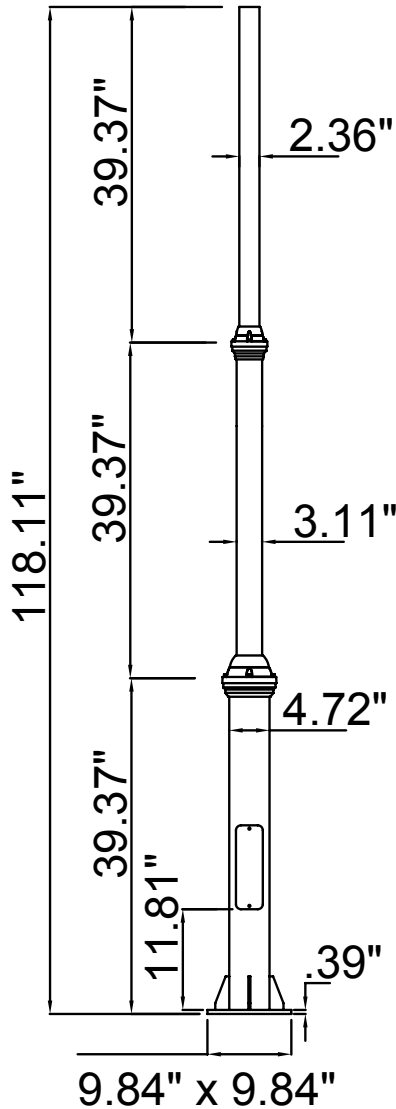
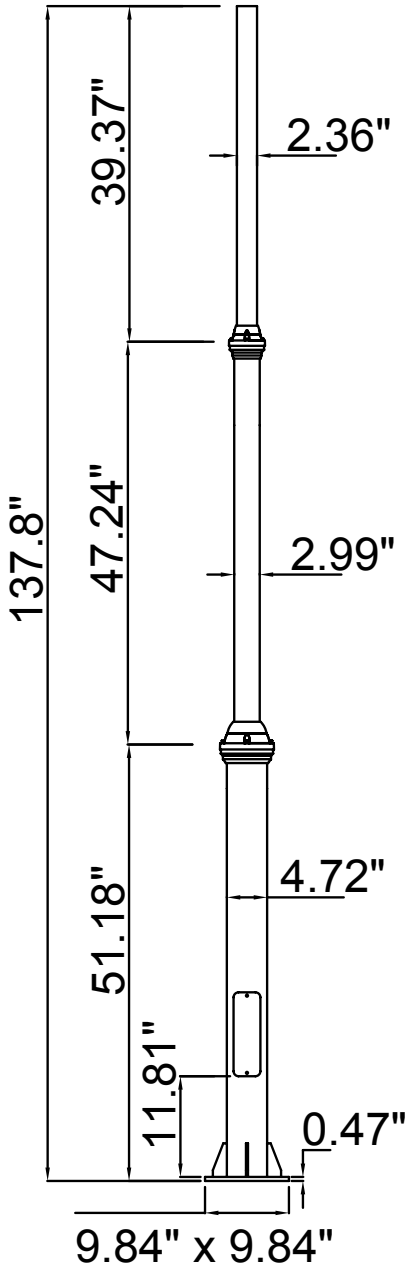
Trunk - 2-3/4" Inside Diameter fits  
over 2-1/2" Round Poles  
5.91"(H) x 4.72"(W) x 2.8"(D)



# DECORATIVE 3-PIECE LIGHT POLE:

Shown With POL Pol System, Must be Purchased Separately

MODEL NO.	Descriptions
POL-D1-120-3PC-BK	120In Decorative Pole D1 Series, 3Pc, 2.36In Tenon, Black
POL-D1-144-3PC-BK	144In Decorative Pole D1 Series, 3Pc, 2.36In Tenon, Black



## Accessories:

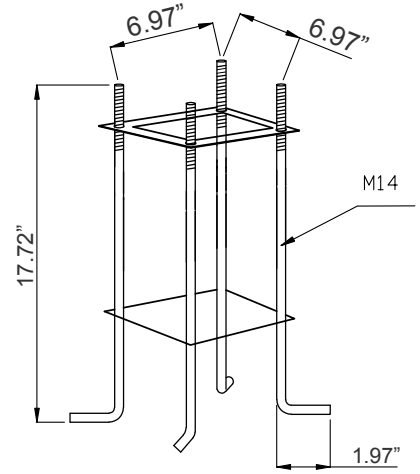
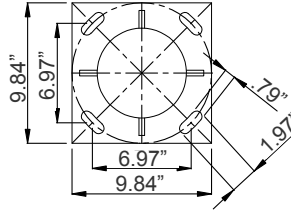
Blank = No Option For Accessories

POL-D1-ABK = D1 Series Pole Anchor Bolt Kit 9/16 (M14)

POL-D1-BASECVR-BK = D1 Series Pole 2-Pc Cube Base Cover, Black

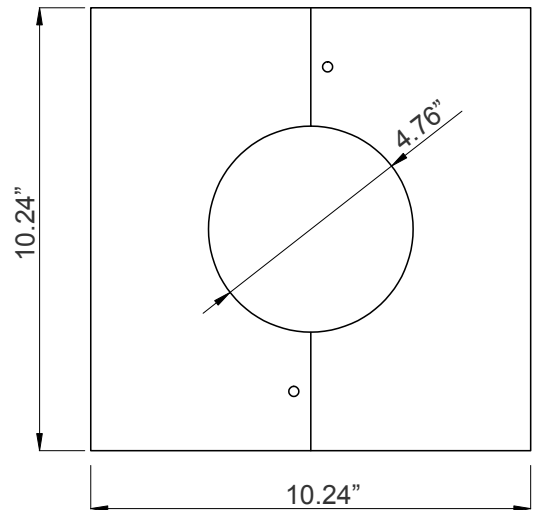
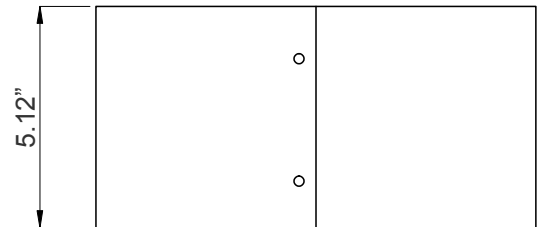


**ACCESSORIES:**



POL-D1-ABK

17.72" (H) x 9.84" (W) x 9.84" (D)



POL-D1-BASECVR-BK

10.24" (H) x 10.24" (W) x 5.12" (D)

