

STL3 SERIES OUTDOOR LIGHTING

STL3-50W-30K-L
STL3-50W-50K-L



Selection:



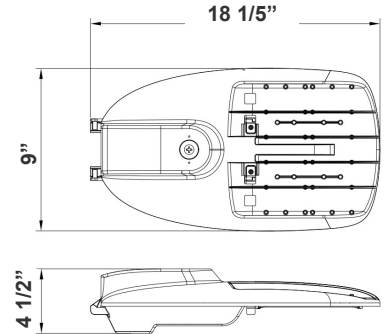
This outdoor lighting is ideal for general site lighting, street, roadway, alleys, loading docks, doorway, pathway, and parking areas

Customer Name: _____

Project Name: _____

Note: _____

Type: _____



18 1/2"(L) x 9"(W) x 4 1/2"(H)

Features

- Light Grey Finish
- With NEMA twist-lock Photocell Socket (Shorting Cap included)
- 7-Year Warranty
- Outdoor Light

Technical Specifications

Electrical:

- Voltage: 120-277V; 60Hz AC
- Power Factor: >0.95
- Wattage: 50W
- Efficacy: 140 LPW

Mechanical:

- Die-cast Aluminum with Powder Coat Finish (Light Grey)
- Cord Type: 40" SJTW 18/3 AWG Cable
- With 2-15/16" Diameter Pole Entry with Adapter Bracket Inside for Smaller Pole Diameters
- Maximum Ambient Temperature: 104°F
- Rated life: 50,000 hrs
- Wet Location
- IP Rating: IP65

Lighting:

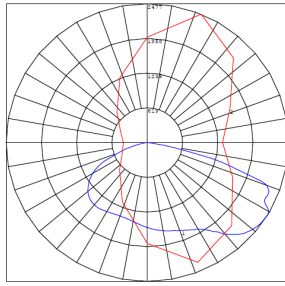
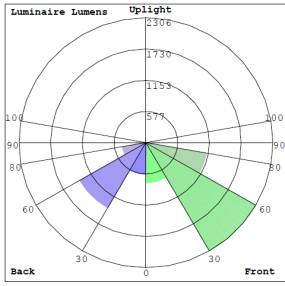
- Lens Type: Optical TYPE III Lens, High Light Transmittance PC, Anti-UV and Flame Resistant
- Dimming: 0-10 Dimming
- Driver Located in Isolated Compartment for Improved Thermal Management
- Total Lumens: 6500LM
- Color Temperatures: 3000K/5000K
- Color Rendering Index: CRI ≥ 70

Applications:

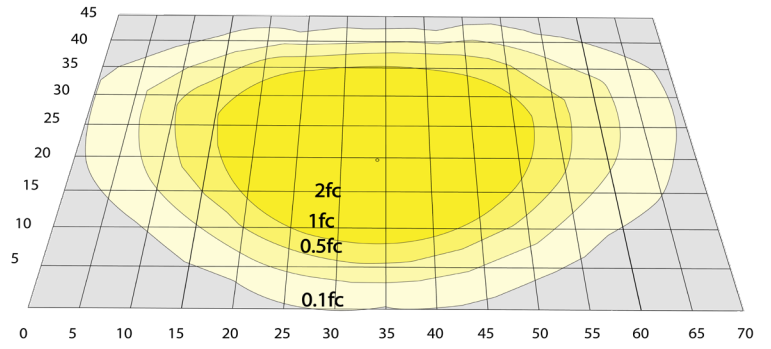
- Ideal for general site lighting, street, roadway, alleys, loading docks, doorway, pathway and parking areas



Photometrics: STL3-50W-L



BUG Rating: B2-U0-G1



50W 5000K, Area 45'x 70' Mounting Height: 9'

Other Views:



Side View



Front View



Back View



Mounting Hole View

Performance Table: STL3-50W-L

MODEL NO.	Wattage	Voltage	Lumens	Color Temp.	BUG Rating	LPW
STL3-50W-30K-L	50W	120-277V	6500LM	3000K	B2-U0-G1	140
STL3-50W-50K--L	50W	120-277V	6500LM	5000K	B2-U0-G1	140

Sample Ordering

Model	Watt	Color Temp.	Housing
STL3	50W		L

30K = 3000K
50K = 5000K

Accessories:

Blank = No Option For Accessories

PC-TWIST = 1800W TUNGSTEN TWIST LOCK PHOTOCELL

Factory-Installed Options

Blank = No Option

OPT-STL-SH-CW = Half shroud option

OPT-STL-SH-FG = Full glare shroud option

ACCESSORIES:



PC-TWIST
1800W TUNGSTEN TWIST LOCK
PHOTOCELL

FACTORY-INSTALLED OPTION:



OPT-STL-SH-CW
HALF SHROUD OPTION



OPT-STL-SH-FG
FULL-GLARE SHROUD OPTION

Example:

1. STL3-50W-30K-L (FOR STL3 50W 3000K OUTDOOR LIGHT FIXTURE 120-277V)
2. STL3-50W-30K-L (FOR STL3 50W 3000K OUTDOOR LIGHT FIXTURE 120-277V)
STL2-WMA (FOR WALL MOUNTING ARM 19 3/5" LENGTH)