

STL3 SERIES OUTDOOR LIGHTING

STL3-200W-50K-480V

WESTGATE
THE FUTURE IS HERE...AND IT'S QUITE BRIGHT!



Selection:



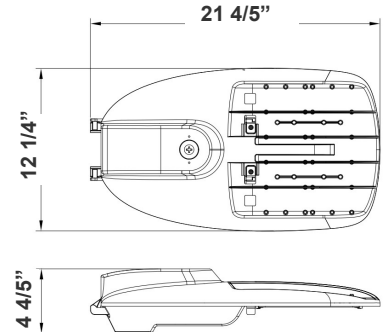
This outdoor lighting is ideal for general site lighting, street, roadway, alleys, loading docks, doorway, pathway, and parking areas

Customer Name: _____

Project Name: _____

Note: _____

Type: _____



21 4/5"(L) x 12 1/4"(W) x 4 4/5"(H)

Features

- Light Grey Finish
- With NEMA twist-lock Photocell Socket (Shorting Cap included)
- 7-Year Warranty
- Outdoor Light

Technical Specifications

Electrical:

- Voltage: 480V
- Power Factor: >0.95
- Wattage: 200W
- Efficacy: 125 LPW

Mechanical:

- Die-cast Aluminum with Powder Coat Finish (Light Grey)
- Cord Type: 40" SJTW 18/3 AWG Cable
- With 2-15/16" Diameter Pole Entry with Adapter Bracket Inside for Smaller Pole Diameters
- Maximum Ambient Temperature: 104°F
- Rated life: 70,000 hrs
- Wet Location
- IP Rating: IP65

Lighting:

- Lens Type: Optical TYPE III Lens, High Light Transmittance PC, Anti-UV and Flame Resistant
- Dimming: 0-10 Dimming
- Driver Located in Isolated Compartment for Improved Thermal Management
- Total Lumens: 24000LM
- Color Temperatures: 5000K
- Color Rendering Index: CRI ≥ 80

Applications:

- Ideal for general site lighting, street, roadway, alleys, loading docks, doorway, pathway and parking areas

Other Models:

- 90W | 13500LM | STL3-90W-50K-480V
- 150W | 21000LM | STL3-150W-50K-480V

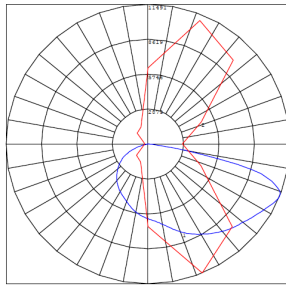
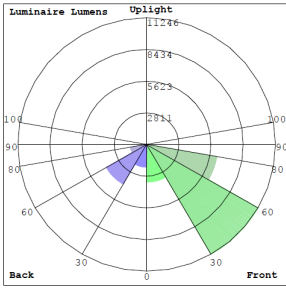


Phone: (877) 805-2252 | Fax: (877) 805-2252
www.westgatemfg.com | www.westgatecontrols.co

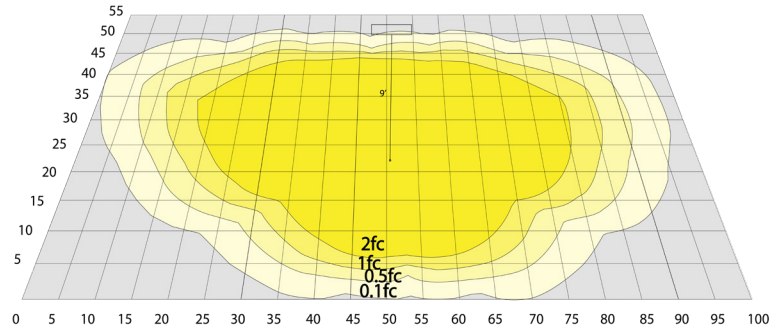


WG-Z7-2D-2Z

Photometrics: STL3-200W-480V



BUG Rating: B3-U0-G3



Other Views:



Side View



Front View



Back View



Mounting Hole View

Performance Table: STL3-200W-480V

MODEL NO.	Wattage	Voltage	Lumens	Color Temp.	BUG Rating	LPW
STL3-200W-50K-480V	200W	480V	24000LM	5000K	B3-U0-G3	125

Sample Ordering

Model	Watt	Color Temp.	Voltage
STL3	200W	50K = 5000K	480V

Accessories:

Blank = No Option For Accessories
 STL2-WMA = WALL MOUNTING ARM 19 3/5" LENGTH
 PC-TWIST = 1800W TUNGSTEN TWIST LOCK PHOTOCELL

Factory-Installed Options

Blank = No Option
 OPT-STL-SH-CW = Half shroud option
 OPT-STL-SH-FG = Full glare shroud option

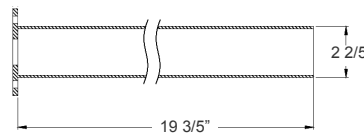
Example:

- STL3-200W-50K-480V (FOR STL3 200W 5000K OUTDOOR LIGHT FIXTURE 480V)
- STL3-200W-50K-480V (FOR STL3 200W 5000K OUTDOOR LIGHT FIXTURE 480V)
 STL2-WMA (FOR WALL MOUNTING ARM 19 3/5" LENGTH)

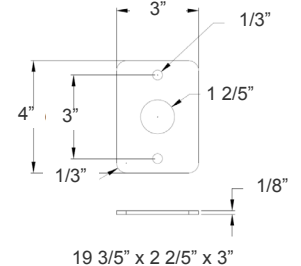
ACCESSORIES:



STL2-WMA
 WALL MOUNTING ARM
 19 3/5" LENGTH



PC-TWIST
 1800W TUNGSTEN TWIST LOCK
 PHOTOCELL



FACTORY-INSTALLED OPTION:



OPT-STL-SH-CW
 HALF SHROUD OPTION



OPT-STL-SH-FG
 FULL-GLARE SHROUD OPTION