

# STL2 SERIES OUTDOOR LIGHTING

STL2-90W-50K-480V

**WESTGATE**  
THE FUTURE IS HERE...AND IT'S QUITE BRIGHT!



Selection:



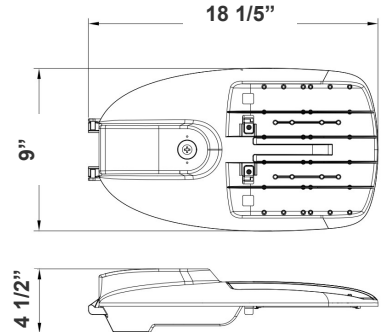
This outdoor lighting is ideal for general site lighting, street, roadway, alleys, loading docks, doorway, pathway, and parking areas

Customer Name: \_\_\_\_\_

Project Name: \_\_\_\_\_

Note: \_\_\_\_\_

Type: \_\_\_\_\_



18 1/5"(L) x 9"(W) x 4 1/2"(H)

## Features

- Light Grey Finish
- With NEMA twist-lock Photocell Socket (Shorting Cap included)
- 7-Year Warranty
- Outdoor Light

## Technical Specifications

### Electrical:

- Voltage: 480V
- Power Factor: >0.95
- Wattage: 90W
- Efficacy: 150 LPW

### Mechanical:

- Die-cast Aluminum with Powder Coat Finish (Light Grey)
- Cord Type: 40" SJTW 18/3 AWG Cable
- With 2-15/16" Diameter Pole Entry with Adapter Bracket Inside for Smaller Pole Diameters
- Maximum Ambient Temperature: 104°F
- Rated life: 70,000 hrs
- Wet Location
- IP Rating: IP65

### Lighting:

- Lens Type: Optical TYPE III Lens, High Light Transmittance PC, Anti-UV and Flame Resistant
- Dimming: 0-10 Dimming
- Driver Located in Isolated Compartment for Improved Thermal Management
- Total Lumens: 13500LM
- Color Temperatures: 5000K
- Color Rendering Index: CRI ≥ 80

### Applications:

- Ideal for general site lighting, street, roadway, alleys, loading docks, doorway, pathway and parking areas

## Other Models:

• 150W | 21000LM | STL2-150W-50K-480V • 200W | 27000LM | STL2-200W-50K-480V

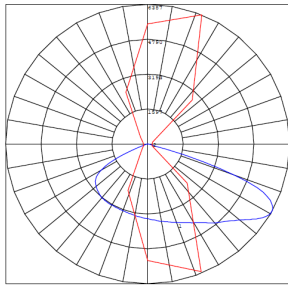
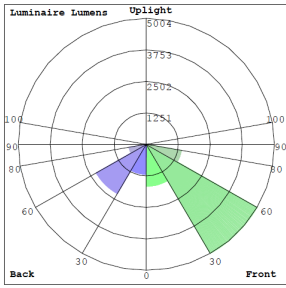


Phone: (877) 805-2252 | Fax: (877) 805-2252  
www.westgatemfg.com | www.westgatecontrols.co

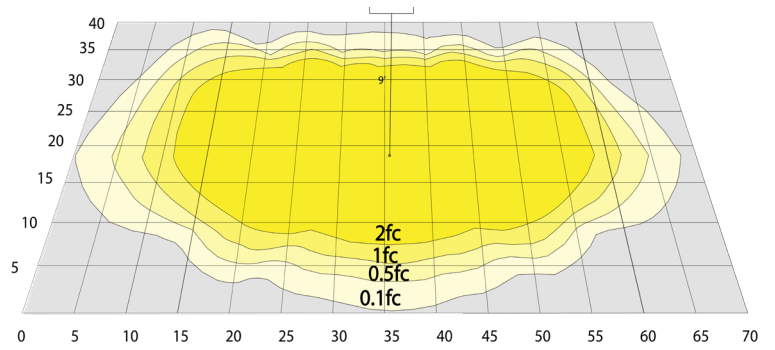


WG-Z7-2D-2Z

## Photometrics: STL2-90W-480V



BUG Rating: B3-U0-G2



Area 40'x 70' Mounting Height: 9'

## Other Views:



Side View



Front View



Back View



Mounting Hole View

## Performance Table: STL2-90W-480V

MODEL NO.	Wattage	Voltage	Lumens	Color Temp.	BUG Rating	LPW
STL2-90W-50K-480V	90W	480V	13500LM	5000K	B3-U0-G2	150

## Sample Ordering

Model	Watt	Color Temp.	Voltage
STL2	90W	50K = 5000K	480V

## Accessories:

Blank = No Option For Accessories

STL2-WMA = WALL MOUNTING ARM 12 3/4" LENGTH

PC-TWIST = 1800W TUNGSTEN TWIST LOCK PHOTOCELL

## Example:

- STL2-90W-50K-480V (FOR STL2 90W 5000K OUTDOOR LIGHT FIXTURE 480V)
- STL2-90W-50K-480V STL2-WMA (FOR STL2 90W 5000K OUTDOOR LIGHT FIXTURE 480V)  
(FOR WALL MOUNTING ARM 12 3/4" LENGTH)

## ACCESSORIES:



STL2-WMA  
WALL MOUNTING ARM  
12 3/4" LENGTH



PC-TWIST  
1800W TUNGSTEN TWIST LOCK  
PHOTOCELL