

STL2 SERIES OUTDOOR LIGHTING

STL2-200W-30K
STL2-200W-50K



Selection:



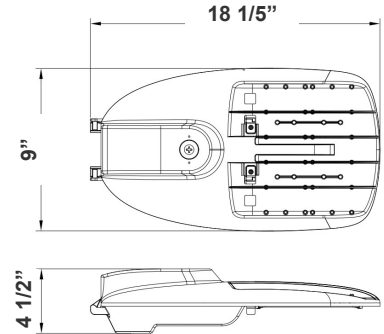
This outdoor lighting is ideal for general site lighting, street, roadway, alleys, loading docks, doorway, pathway, and parking areas

Customer Name: _____

Project Name: _____

Note: _____

Type: _____



21 4/5"(L) x 12 1/4"(W) x 4 4/5"(H)

Features

- Light Grey Finish
- With NEMA twist-lock Photocell Socket (Shorting Cap Included)
- Optional Nema Twist-Lock Photocell (add "-P")
- 7-Year Warranty
- Outdoor Light

Technical Specifications

Electrical:

- Voltage: 120-277V; 60Hz AC
- Power Factor: >0.95
- Wattage: 200W
- Efficacy: 135 LPW

Mechanical:

- Die-cast Aluminum with Powder Coat Finish (Light Grey)
- Cord Type: 40" SJTW 18/3 AWG Cable
- W/NEMA Twist-lock Photocell Socket, Shorting Cap incl.
- 6KV Lightning Surge Protection
- With 2-15/16" Diameter Pole Entry with Adapter Bracket Inside for Smaller Pole Diameters
- Maximum Ambient Temperature: -40°F to 104°F
- Rated life: 50,000 hrs
- Wet Location
- IP Rating: IP65

Lighting:

- Lens Type: Optical TYPE III Lens, High Light Transmittance PC, Anti-UV and Flame Resistant
- Dimming: 0-10 Dimming
- Driver Located in Isolated Compartment for Improved Thermal Management
- Total Lumens: 27000LM
- Color Temperatures: 3000K/5000K
- Color Rendering Index: CRI ≥ 80

Applications:

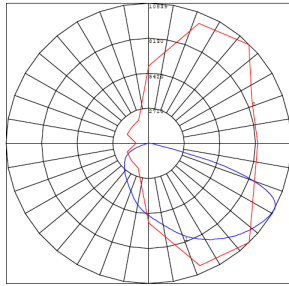
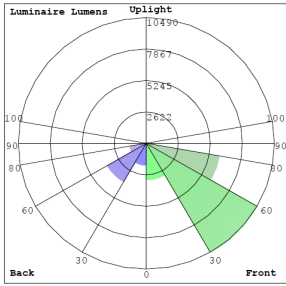
- Ideal for general site lighting, street, roadway, alleys, loading docks, doorway, pathway and parking areas

Other Models:

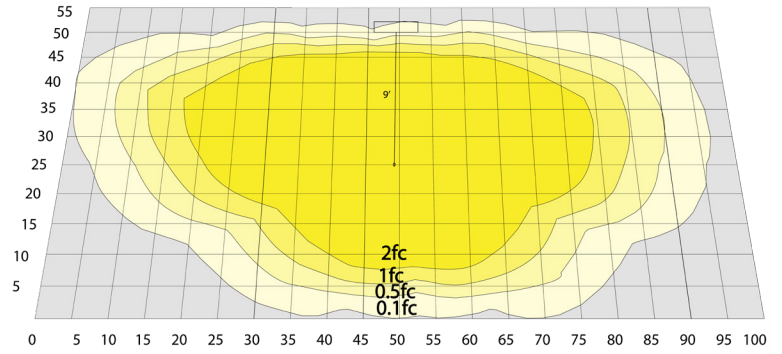
• 30W | 3900LM | STL2-30W-30K • 50W | 6500LM | STL2-50W-30K • 80W | 10800LM | STL2-80W-30K • 100W | 13500LM | STL2-100W-30K • 150W | 21000LM | STL2-150W-30K
• 30W | 3900LM | STL2-30W-50K • 50W | 6500LM | STL2-50W-50K • 80W | 10800LM | STL2-80W-50K • 100W | 13500LM | STL2-100W-50K • 150W | 21000LM | STL2-150W-50K



Photometrics: STL2-200W



BUG Rating: B3-U0-G3



Area 55'x 100' Mounting Height: 9'

Other Views:



Side View



Front View



Back View



Mounting Hole View

Performance Table: STL2-200W

MODEL NO.	Wattage	Voltage	Lumens	Color Temp.	BUG Rating	LPW
STL2-200W-30K	200W	120-277V	27000LM	3000K	B3-U0-G3	135
STL2-200W-50K	200W	120-277V	27000LM	5000K	B3-U0-G3	135

Sample Ordering

- -

30K = 3000K
 50K = 5000K

Accessories:

Blank = No Option For Accessories
 STL2-WMA = WALL MOUNTING ARM 12 3/4" LENGTH
 PC-TWIST = 1800W TUNGSTEN TWIST LOCK PHOTOCELL

Example:

- STL2-200W-30K (FOR STL2 200W 3000K OUTDOOR LIGHT FIXTURE 120-277V)
- STL2-200W-30K (FOR STL2 200W 3000K OUTDOOR LIGHT FIXTURE 120-277V)
 STL2-WMA (FOR WALL MOUNTING ARM 12 3/4" LENGTH)

ACCESSORIES:



STL2-WMA
 WALL MOUNTING ARM
 12 3/4" LENGTH



PC-TWIST
 1800W TUNGSTEN TWIST LOCK
 PHOTOCELL