

JOB NAME: \_\_\_\_\_

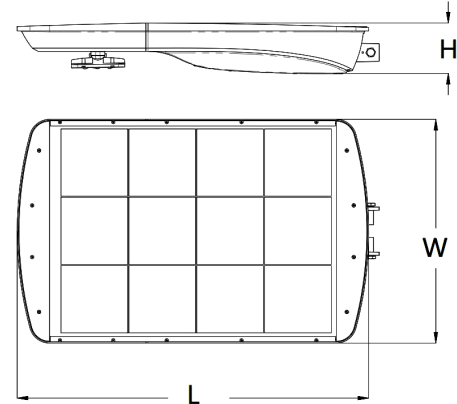
DATE: \_\_\_\_\_

TYPE: \_\_\_\_\_



## DIMENSIONS:

20"(L) x 11-5/8"(W) x 3-1/4"(H)



## SOLF-17W-50K

### LED SOLAR ROADWAY/FLOOD LIGHTS

Ideal for general site lighting, alleys, loading docks, doorway, pathway, and parking areas.

#### ELECTRICAL SPECIFICATIONS:

- Solar Panel Wattage: 17W
- LED Wattage: 8W
- Efficacy: 200LM/W

#### HOUSING SPECIFICATIONS:

- No wires
- Die-cast Aluminum with powder coat finish (light Grey)
- Operating temperature: 14°F to 122°F
- Lifespan: 50,000 hr.
- IP Rating: IP65

#### CERTIFICATIONS:



MODEL	SOLAR PANEL WATTS	LED WATTS	LUMENS	COLOR TEMP
SOLF-17W-50K	17W	8W	1600LM	5000K

#### MOUNTING OPTIONS:

MODEL	DESCRIPTION
SOLF-SFA	Adjustable Slip Fitter for Poles up to 2-3/4" O.D. (Not Included)
SOLF-PMR-17W	Round Pole Mount for SOLF-17W (Not Included)
SOLF-PMS-17W	Square Pole Mount for SOLF-17W (Not Included)
SOLF-WM-17W	Wall Mount for SOLF-17W (Not Included)

#### LIGHTING SPECIFICATIONS:

- Lens: TYPE III TIR optic Lens
- LED: Lumileds Luxeon 5050
- Total lumens: 1600LM
- Battery Type: LiFePO4
- Battery Life: More than 2000 Cycles (2000/365days=5.47 years) with Overcharge and Over-discharge protection
- Battery charge time to full level: 7hrs.
- Operation on full charge: 32 to 36 hrs. depending on fixture model
- Smart Lighting controller & remote control to charge settings (Remote is not included)
- Color temperature: 5000K
- Color rendering index: >70
- Beam Angle: 70°x150°

#### WARRANTY: 5 years

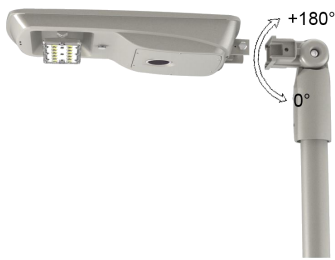


## SOLF-17W-50K

### LED SOLAR ROADWAY/FLOOD LIGHTS

MODEL	SOLAR PANEL WATTS	LED WATTS	LUMENS	COLOR TEMP
SOLF-17W-50K	17W	8W	1600LM	5000K

#### MOUNTING OPTIONS:



SOLF-SFA



SOLF-PMR-17W



SOLF-PMS-17W



SOLF-WM-17W

MODEL	DESCRIPTION
SOLF-SFA	Adjustable Slip Fitter for Poles up to 2-3/4" O.D. (Not Included)
SOLF-PMR-17W	Round Pole Mount for SOLF-17W (Not Included)
SOLF-PMS-17W	Square Pole Mount for SOLF-17W (Not Included)
SOLF-WM-17W	Wall Mount for SOLF-17W (Not Included)

#### SMART CONTROLLER FEATURES:

- Microwave sensor with detection range: 50' H 33' W, detection angle: 65°
- Remote Control to adjust brightness, e.g., 100% brightness 8:00PM-1:00AM, 50% 1:00-5:00AM, 30% during 5:00-6:00AM
- Using the Remote Control the unit can be set to switch to full brightness when motion sensed in detection range and revert back to preset levels after "Hold Time" of 0-250 seconds; factory setting is 10s
- Photocell Hold time after sunset can be set 0-50 min. Factory setting: 0 min

