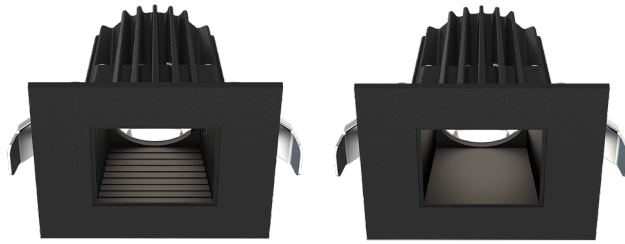


SDL2S SERIES RESIDENTIAL LIGHTING

SDL2S-SB-MCT5-BK
2" LED SNAP-IN RECESSED LIGHTS SMOOTH AND BAFFLE TRIMS INCL.

MCT5 Multi Color Temperature (Selectable)



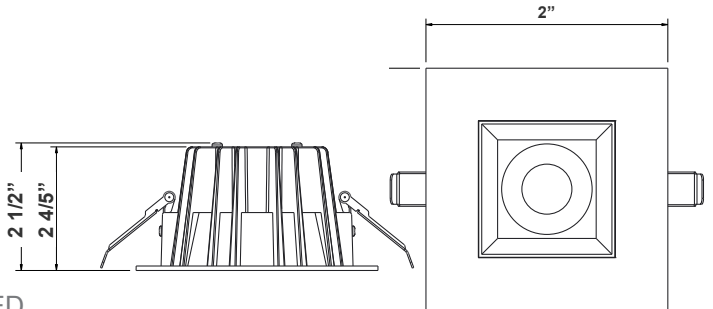
Baffle

Smooth

Customer Name: _____

Project Name: _____

Note: _____ Type: _____



2" (D) x 2 1/2" (H)

LED DOWNLIGHTS (SMOOTH and BAFFLE TRIM) - 4" LED Anti-glare Downlight Comes Complete With An External Driver In a Junction Box. Commercial Grade Quality With Architectural Design

Features

- Smooth Trim, Baffle Trim Insert Included. Multi CCT (Selectable Switch on the Back of the driver)
- 5-Year Warranty
- Durable, Die-Cast Aluminum Alloy For Optimal Heat Dissipation

Technical Specifications

Electrical:

- Voltage: 120V AC
- Output Voltage: 36VDC
- Power Factor: >0.90
- Wattage: 9W
- Efficacy: 66 LPW
- Total Harmonic Distortion: ≤15 %

Mechanical:

- 1-1/4" Thick
- Smooth Trim, Baffle Trim Insert Included.
- Up to 9 AWG18 Wires
- Durable, Die-Cast Aluminum Alloy For Optimal Heat Dissipation
- Junction box Included, Install Directly in Insulated Ceilings (IC) Without Any Thermal Housing
- Maximum Ambient Temperature: -40°F to 104°F
- Damp Location
- 5-Year Warranty

Lighting:

- Multi CCT (Selectable Switch on the Back of the driver)
- Dimming: Dimmable Down to 10% Using a Standard TRIAC LED Dimmer
- Can Rotate after Installation to Align
- LED: High Brightness COB LED
- Optics: White Translucent Acrylic
- Total Lumens: 600LM
- Color Temperatures: 2700K/3000K/3500K/4000K/5000K
- Color Rendering Index: CRI ≥ 90
- Beam Angle: 36°
- Rated Life: 50,000 hrs

Applications:

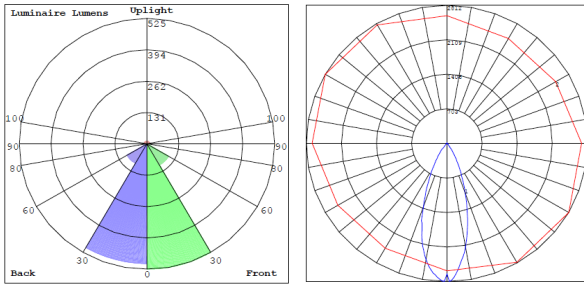
- LED recessed trims have been designed to be a flexible lighting solution for new construction applications, Ideal for closets, storage areas, attics, corridors, or general lighting solutions for residential and commercial applications

Other Models:

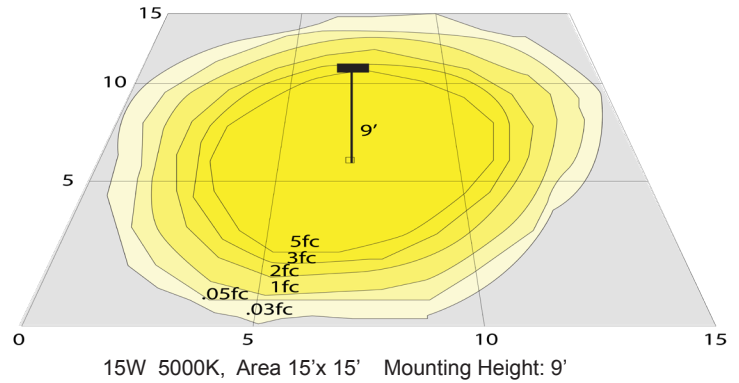
- 9W | 600LM | RDL2S-SB-MCT5-BK



Photometrics: SDL2S-SB-MCT5-BK

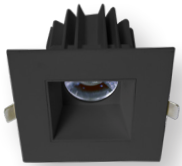


BUG Rating: B2-U2-G0



15W 5000K, Area 15'x 15' Mounting Height: 9'

Other Views:



Side View



Baffle Front View



Smooth Front View



Junction box 1-1/4" thick included with fixtures
Back View

Performance Table: SDL2S-SB-MCT5-BK

MODEL NO.	Wattage	Voltage	Lumens	Color Temp.	BUG Rating	LPW
SDL2S-SB-MCT5-BK	9W	120V	600LM	2700K 3000K 3500K 4000K 5000K	B2-U2-G0	66

Sample Ordering

Model	Trim	Color Temp.	Color
SDL2S	SB	MCT5	BK

Factory-Installed Option:

Blank = No Option For Accessories
OPT-EM-DL1EXT = EXTERNAL BATTERY BACKUP

FACTORY-INSTALLED OPTION:



OPT-EM-DL1EXT
EXTERNAL BATTERY BACKUP



Compatible Dimmer List:

MODEL NO.	BRAND
6631-1LT	LEVITON
MACL-153MLH-AL	LUTRON
TGCL-153PH-LA	LUTRON
DVW-603PGH-WH	LUTRON
CT-600PR-WH	LUTRON
LGCL-153PHL-IV	LUTRON
TGCL-153PH-LA	LUTRON
LSLV603PWV	LUTRON
6674-POW	LEVITON
DVCL-153P	LUTRON
MSCL-OP153P	LUTRON
CTCL-153P	LUTRON
MACL-153M	LUTRON
HCL453PTCCCV6	PASS & SEYMOUR
LSLV603PWV	PASS & SEYMOUR

