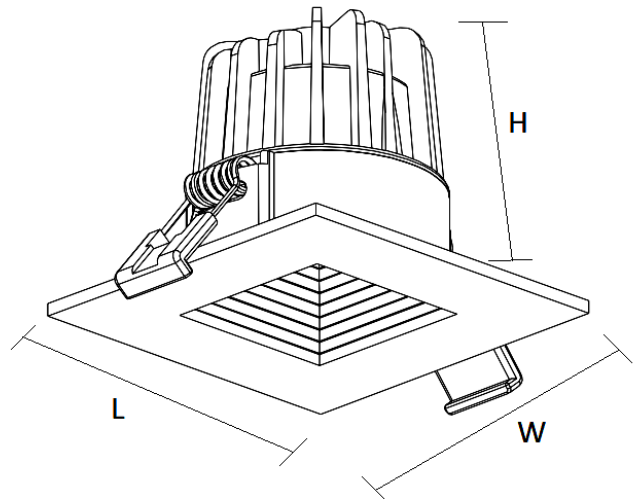


DIMENSIONS:

3.12" L X 3.12" W X 2.5" H



SDL2S-BF-27K
SDL2S-BF-30K
SDL2S-BF-40K
SDL2S-BF-50K

2" LED RECESSED LIGHTS (BAFFLE)

ELECTRICAL SPECIFICATIONS:

- Voltage: 120VAC
- Wattage: 8W
- Power factor: >0.9
- Efficacy: 75LM/W

HOUSING SPECIFICATIONS:

- 2" square baffle recessed light with external driver
- Finish: White
- No housing needed
- I.C. rated for direct contact with insulation
- Lifespan: 50,000 hrs.

CERTIFICATIONS: ETL



MODEL	WATTS	VOLTAGE	LUMENS	COLOR TEMP
SDL2S-BF-27K	8W	120VAC	550LM	2700K
SDL2S-BF-30K	8W	120VAC	550LM	3000K
SDL2S-BF-40K	8W	120VAC	550LM	4000K
SDL2S-BF-50K	8W	120VAC	550LM	5000K

ACCESSORIES:



RSL-346-RIBH

MODEL	DESCRIPTION
RSL-346-RIBH	Optional galvanized rough-in plate with bar hangers

LIGHTING SPECIFICATIONS:

- Dimming: dimmable
- Total lumens: 550LM
- Color temperature: 2700K/3000K/4000K/5000K
- CRI: >90
- Beam Angle: 38°

WARRANTY: 5 years

