

# RDL1S SERIES

RESIDENTIAL LIGHTING

**WESTGATE**  
THE FUTURE IS HERE...AND IT'S QUITE BRIGHT!

SDL1S-ST-MCT5-BK

SDL1S-ST-MCT5-WH

1" HIGH-OUTPUT LOW-GLARE CANLESS RECESSED LIGHTS

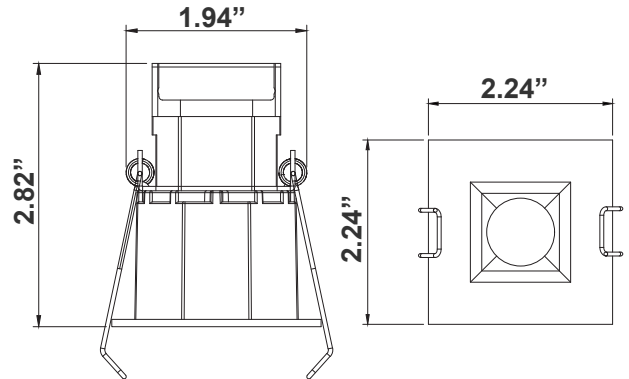
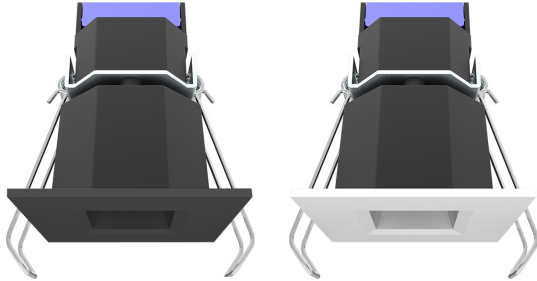
**MCT5** Multi Color Temperature (Selectable)

Customer Name: \_\_\_\_\_

Project Name: \_\_\_\_\_

Note: \_\_\_\_\_

Type: \_\_\_\_\_



1.94"(W) x 2.82"(H) x 2.24"(D)

LED DOWNLIGHTS (SMOOTH and BAFFLE TRIM) - 4" LED Anti-glare Downlight Comes Complete With An External Driver In a Junction Box. Commercial Grade Quality With Architectural Design

## Features

- Multi CCT (Selectable Switch on the Back of the driver)
- 5-Year Warranty
- Durable, Die-Cast Aluminum Alloy For Optimal Heat Dissipation

## Technical Specifications

### Electrical:

- Voltage: 120V AC
- Output Voltage: 36VDC
- Power Factor: >0.90
- Wattage: 8W
- Efficacy: 75 LPW
- Total Harmonic Distortion: ≤15 %

### Mechanical:

- 1-1/4" Thick
- Up to 9 AWG18 Wires
- Durable, Die-Cast Aluminum Alloy For Optimal Heat Dissipation
- Junction box Included, Install Directly in Insulated Ceilings (IC) Without Any Thermal Housing
- Maximum Ambient Temperature: -40°F to 104°F
- Damp Location
- 5-Year Warranty

### Lighting:

- Multi CCT (Selectable Switch On The Back Of The Driver)
- Can Rotate After Installation To Align
- LED: High Brightness COB LED
- Optics: PC Lens For Even Lumen Distribution
- Total Lumens: 600LM
- Color Temperatures: 2700K/3000K/3500K/4000K/5000K
- Color Rendering Index: CRI ≥ 90
- Beam Angle: 15/24/36°
- Rated Life: 50,000 hrs

### Applications:

- Suitable for jewelry stores, boutiques, luxury goods stores, shopping malls, and other spaces that require focused and accent lighting.

### Other Models:

- 8W | 600LM | RDL1S-ST-MCT5-WH

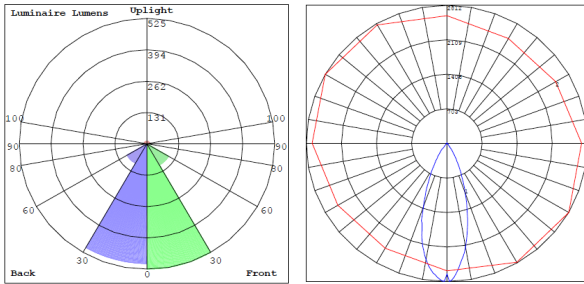


Phone: (877) 805-2252 | Fax: (877) 805-2252  
www.westgatemfg.com

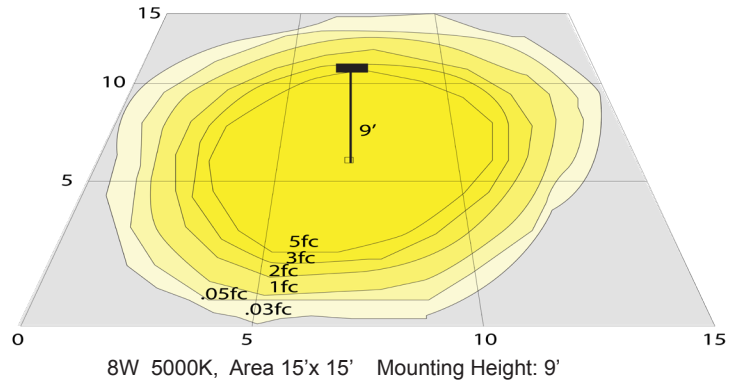


WG-03212023

## Photometrics: SDL1S-ST-MCT5



BUG Rating: B2-U2-G0



8W 5000K, Area 15'x 15' Mounting Height: 9'

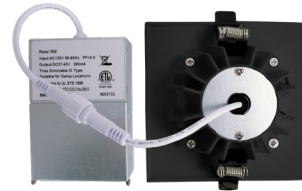
## Other Views:



White



Black



Junction box 1-1/4" thick  
included with fixtures  
Back View

## Performance Table: SDL1S-ST-MCT5

MODEL NO.	Wattage	Voltage	Lumens	Color Temp.	BUG Rating	LPW
SDL1S-ST-MCT5-WH SDL1S-ST-MCT5-BK	8W	120V	600LM	2700K 3000K 3500K 4000K 5000K	B2-U2-G0	75

## Sample Ordering

-  -  -

WH = White  
 BK = Black

## Accessories:

Blank = No Option For Accessories  
**RSL-1-RIBH** = 1IN (ADJUSTABLE) GALVANIZED MOUNTING PLATE WITH BAR HANGERS

## Factory-Installed Option:

Blank = No Option For Accessories  
**OPT-EM-DL1EXT** = EXTERNAL BATTERY BACKUP

## ACCESSORIES:



**RSL-1-RIBH**  
 1in (Adjustable) Galvanized  
 Mounting Plate with Bar  
 Hangers

## FACTORY-INSTALLED OPTION:



**OPT-EM-DL1EXT**  
 EXTERNAL BATTERY BACKUP



## Compatible Dimmer List:

MODEL NO.	BRAND
6631-1LT	LEVITON
MACL-153MLH-AL	LUTRON
TGCL-153PH-LA	LUTRON
DVW-603PGH-WH	LUTRON
CT-600PR-WH	LUTRON
LGCL-153PHL-IV	LUTRON
TGCL-153PH-LA	LUTRON
LSLV603PWV	LUTRON
6674-POW	LEVITON
DVCL-153P	LUTRON
MSCL-OP153P	LUTRON
CTCL-153P	LUTRON
MACL-153M	LUTRON
HCL453PTCCCV6	PASS & SEYMOUR
LSLV603PWV	PASS & SEYMOUR

