

SCRH SERIES Commercial Lighting

SCRH-UD-36-MCT5-DD-WH

SCRH-UD-36-MCT5-DD-BK

36" HOLLOW CIRCLE PENDANT WITH UPLIGHT

MCTP Multi Color Temperature (Selectable)

WESTGATE
THE FUTURE IS HERE...AND IT'S QUITE BRIGHT!

Customer Name: _____

Project Name: _____

Note: _____

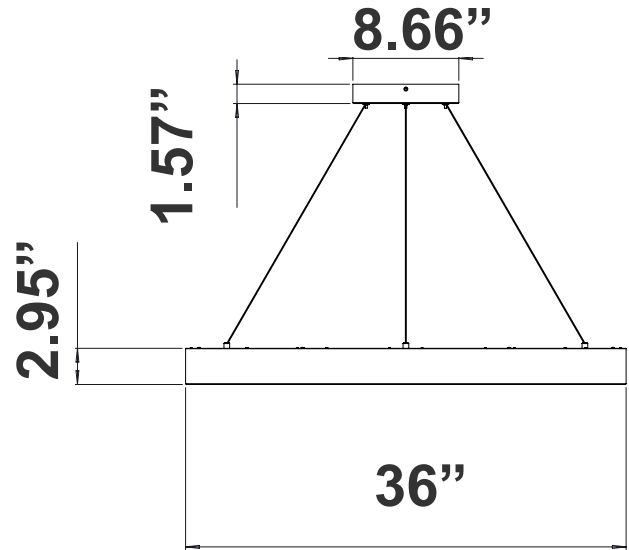
Type: _____



Avail Finishes:



The Hollow Circle Pendant with Uplight is a sleek and modern lighting fixture designed to provide both functional and ambient lighting. Featuring a minimalist hollow circle design, it delivers uplighting that enhances the ceiling while creating a soft, even glow. Perfect for contemporary spaces, it is ideal for residential, commercial, and hospitality settings, offering style and sophistication.



Canopy Dimension: 8.66"(W) x 1.57"(H)
Fixture Dimension: 36"(W) x 2.95"(H)

Features

- LED Superior Architectural Lights
- Aluminum Housing With Sandy White Finish
- MCTP: Multi Color Temperature and Power (Selectable, the switches are inside the Canopy)
- 5-Year Warranty

Technical Specifications

Electrical:

- Voltage: 120-277V AC 50/60Hz
- Wattage: 80W
- Power Factor: >0.98
- LPW: 50 LM/W
- Total Harmonic Distortion: ≤19 %

Mechanical:

- Aluminum Housing With Sandy White Finish
- Light Accent Functionality With a Removable Plate Covering the Lens
- Three 10FT Adjustable Suspension Cables
- Opal Polycarbonate Lens - Direct Down Light,
- Operating Temperature: -46°F to 104°F
- IP Rating: IP20
- 5-Year Warranty

Lighting:

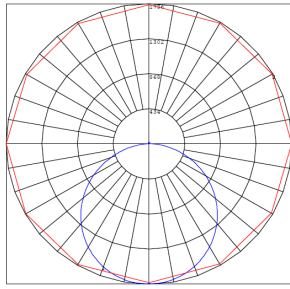
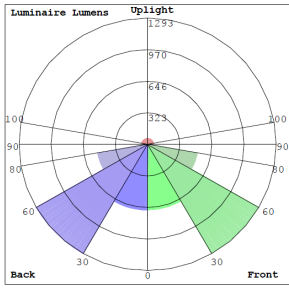
- Dimmable: 0~10V Dimming and Traic Dimming
- Total Lumens: 4000LM
- Color Temperatures: 2700K/3000K/3500K/4000K/5000K
- MCTP: Multi Color Temperature and Power (Selectable, the switches are inside the Canopy)
- Color Rendering Index: CRI ≥ 90
- Beam Angle: 114°(H) x 114°(V)
- 50,000 Hours Rated Life

Applications:

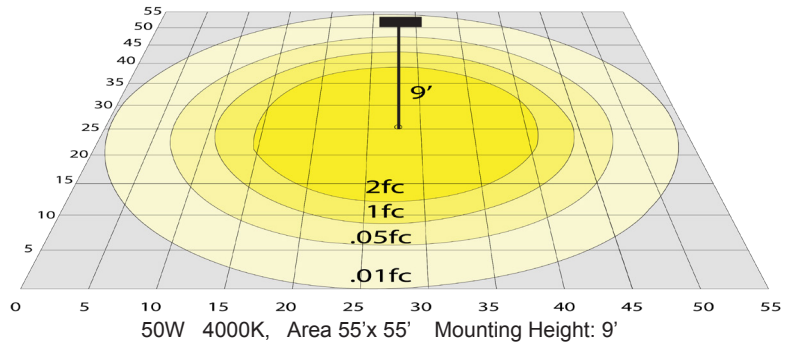
- Ideal for offices, hotels, corridors, saloons, libraries, meeting rooms, conference halls, and the best solution for modern lighting solutions
- It can be used in any indoor applications



Photometrics: SCRH-UD-236-MCT5-DD



BUD Rating: B2-U3-G1



Other Views:
White:



Side View



Top View



Bottom View

Black:



Side View



Top View



Bottom View

Performance Table: SCRH-UD-36-MCT5-DD

MODEL NO.	Wattage	Voltage	Lumens	Color Temp.	BUG Rating	LPW
SCRH-UD-36-MCT5-DD-WH SCRH-UD-36-MCT5-DD-BK	80W	120~277V	4000	2700K 3000K 3500K 4000K 5000K	B2-U3-G1	50

Sample Ordering

- - - - -

WH = White
 BK = Black

Factory-Installed Options:

Blank = No Option For Accessories
 OPT-EM-SL1INT = EMERGENCY BACKUP INTERNAL BATTERY
 OPT-SEN-2US= ULTRASONIC BI-LEVEL DIMMING

FACTORY-INSTALLED OPTIONS:

