

SCRH SERIES Commercial Lighting

SCRH-UD-24-MCT5-DD-WH
SCRH-UD-24-MCT5-DD-BK
24" HOLLOW CIRCLE PENDANT WITH UPLIGHT

MCTP Multi Color Temperature (Selectable)

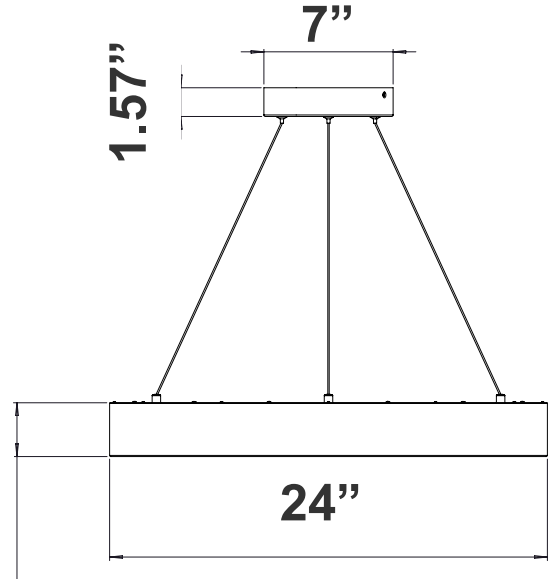


Avail Finishes:



The Hollow Circle Pendant with Uplight is a sleek and modern lighting fixture designed to provide both functional and ambient lighting. Featuring a minimalist hollow circle design, it delivers uplighting that enhances the ceiling while creating a soft, even glow. Perfect for contemporary spaces, it is ideal for residential, commercial, and hospitality settings, offering style and sophistication.

2.95"



Canopy Dimension: 7"(W) x 1.57"(H)
Fixture Dimension: 24"(W) x 2.95"(H)

Features

- LED Superior Architectural Lights
- Aluminum Housing With Sandy White Finish
- MCTP: Multi Color Temperature and Power (Selectable, the switches are inside the Canopy)
- 5-Year Warranty

Technical Specifications

Electrical:

- Voltage: 120-277V AC 50/60Hz
- Wattage: 40W
- Power Factor: >0.98
- LPW: 50 LM/W
- Total Harmonic Distortion: ≤19 %

Mechanical:

- Aluminum Housing With Sandy White Finish
- Light Accent Functionality With a Removable Plate Covering the Lens
- Three 10FT Adjustable Suspension Cables
- Opal Polycarbonate Lens - Direct Down Light,
- Operating Temperature: -46°F to 104°F
- IP Rating: IP20
- 5-Year Warranty

Lighting:

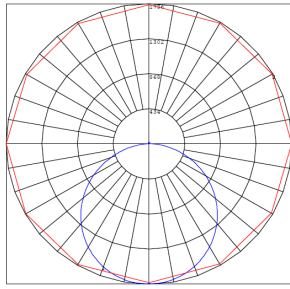
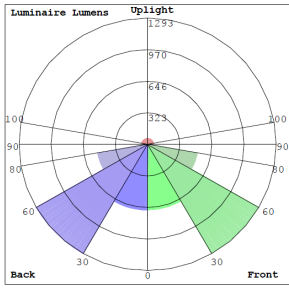
- Dimming: (Dual Function) Triac Dimmable at 120V & 0-10V Dimming at 120-277V
- Total Lumens: 2000LM
- Color Temperatures: 2700K/3000K/3500K/4000K/5000K
- MCTP: Multi Color Temperature and Power (Selectable, the switches are inside the Canopy)
- Color Rendering Index: CRI ≥ 90
- Beam Angle: 114°(H) x 114°(V)
- 50,000 Hours Rated Life

Applications:

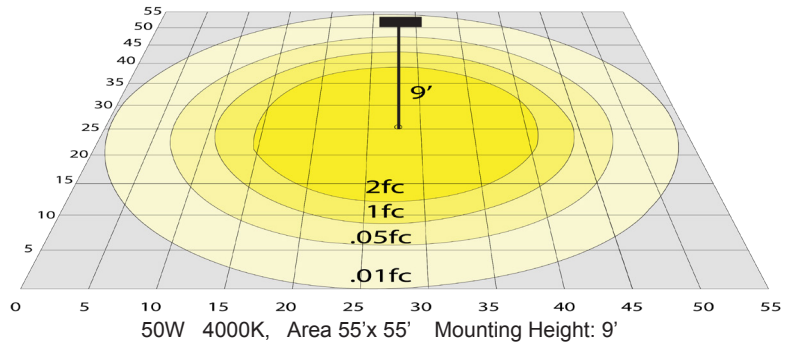
- Ideal for offices, hotels, corridors, saloons, libraries, meeting rooms, conference halls, and the best solution for modern lighting solutions
- It can be used in any indoor applications



Photometrics: SCRH-UD-24-MCT5-DD



BUD Rating: B2-U3-G1



50W 4000K, Area 55'x 55' Mounting Height: 9'

Other Views:

White:



Side View



Top View



Bottom View

Black:



Side View



Top View



Bottom View

Performance Table: SCRH-UD-24-MCT5-DD

MODEL NO.	Wattage	Voltage	Lumens	Color Temp.	BUG Rating	LPW
SCRH-UD-24-MCT5-DD-WH SCRH-UD-24-MCT5-DD-BK	40W	120~277V	2000	2700K 3000K 3500K 4000K 5000K	B2-U3-G1	50

Sample Ordering

- - - - -

WH = White
 BK = Black

Factory-Installed Options:

Blank = No Option For Accessories
 OPT-EM-SL1INT = EMERGENCY BACKUP INTERNAL BATTERY
 OPT-SEN-2US= ULTRASONIC BI-LEVEL DIMMING

FACTORY-INSTALLED OPTIONS:

