

SCR SERIES Commercial Lighting

SCR-48D-MCTP-D
LED ARCHITECTURAL 24in ROUND SUSPENDED LIGHT

MCTP Multi Color Temperature & Multi Power/Wattage (Selectable)

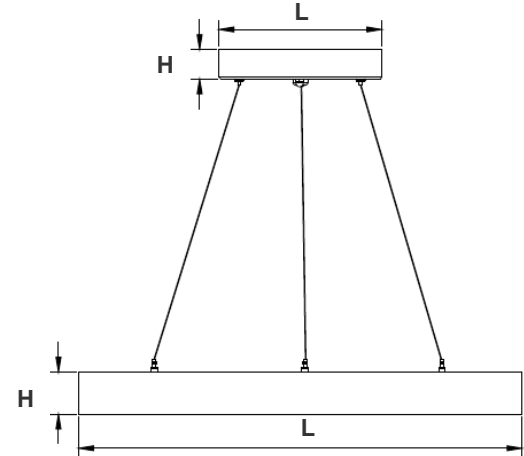
WESTGATE
THE FUTURE IS HERE...AND IT'S QUITE BRIGHT!

Customer Name: _____

Project Name: _____

Note: _____

Type: _____



A modern decorative Euro-design suspended light suitable for conference tables, creative offices and department stores.

Canopy Dimension: 8 3/5" (L) x 2 1/2" (H)
Fixture Dimension: 48" (L) x 2 1/4" (H)

Features

- LED Superior Architectural Lights
- Aluminum Housing With Sandy White Finish
- MCTP: Multi Color Temperature and Power (Selectable, the switches are inside the Canopy)
- 5-Year Warranty

Technical Specifications

Electrical:

- Voltage: 120-277V AC 50/60Hz
- Wattage: 60W/80W/100W
- Power Factor: >0.98
- LPW: 110 LM/W
- Total Harmonic Distortion: ≤19 %

Mechanical:

- Aluminum Housing With Sandy White Finish
- Three 10FT Adjustable Suspension Cables
- Opal Polycarbonate Lens - Direct Down Light,
- Operating Temperature: -46°F to 104°F
- IP Rating: IP20
- 5-Year Warranty

Lighting:

- Dimmable: 0~10V Dimming
- Total Lumens: 11000LM
- Color Temperatures: 3000K/3500K/4000K
- MCTP: Multi Color Temperature and Power (Selectable, the switches are inside the Canopy)
- Color Rendering Index: CRI ≥ 80
- 50,000 Hours Rated Life
- Beam Angle: 114°(H) x 114°(V)

Applications:

- Ideal for offices, hotels, corridors, saloons, libraries, meeting rooms, conference halls, and the best solution for modern lighting solutions
- It can be used in any indoor applications

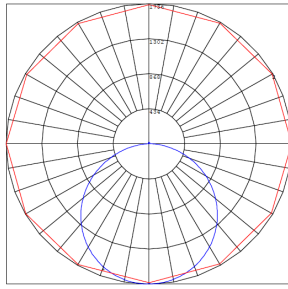
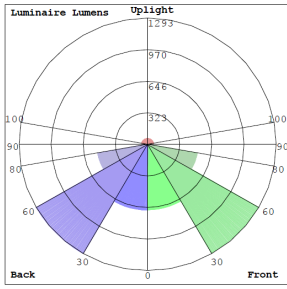


Phone: (877) 805-2252 | Fax: (877) 805-2252
www.westgatemfg.com

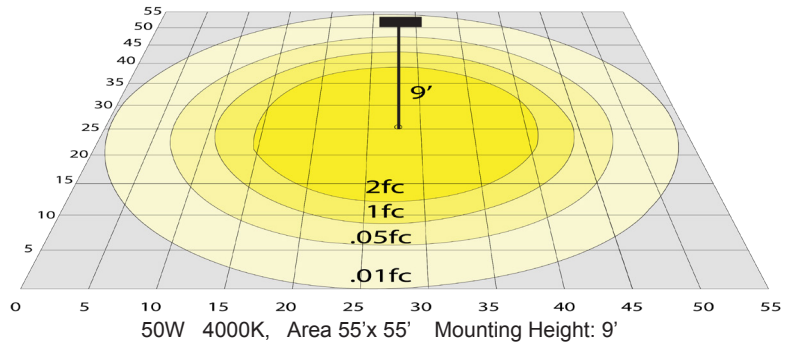


WG-04102022

Photometrics: SCR-48D-MCTP-D



BUD Rating: B2-U3-G1



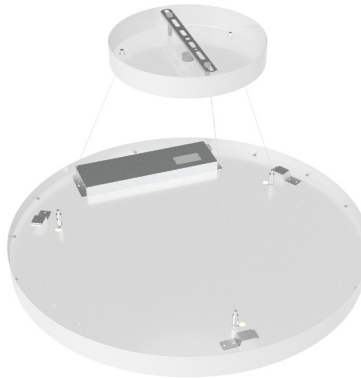
50W 4000K, Area 55'x 55' Mounting Height: 9'

Other Views:

Direct:



Side View



Top View



Bottom View

Performance Table: SCR-48D-MCTP-D

| MODEL NO. | Wattage | Voltage | Lumens | Color Temp. | BUG Rating | LPW |
|----------------|---------|----------|--------|-------------|------------|-----|
| SCR-48D-MCTP-D | 60W | 120~277V | 6600 | 3000K | B2-U3-G1 | 110 |
| | 80W | | 8800 | 3500K | | |
| | 100W | | 11000 | 4000K | | |

Sample Ordering

Model Size Color Temp. Dimming

SCR - 48D - MCTP - D

Factory-Installed Options:

Blank = No Option For Accessories
 OPT-EM-SL1INT = EMERGENCY BACKUP INTERNAL BATTERY
 OPT-SEN-2MDR-36 = PROGRAMMABLE MICROWAVE BI-LEVEL
 WEC-3RC = REMOTE CONTROL
 OPT-SCR-ULK = FACTORY-INSTALLED UPLIGHT, 14" DIAMETER, 900LM, S30K/40K/50K SELECTABLE

FACTORY-INSTALLED OPTIONS:



OPT-SEN-2US



OPT-EM-SL1INT



WEC-3RC

