

# SCR SERIES Commercial Lighting

SCR-24D-MCTP-D  
LED ARCHITECTURAL 24in ROUND SUSPENDED LIGHT

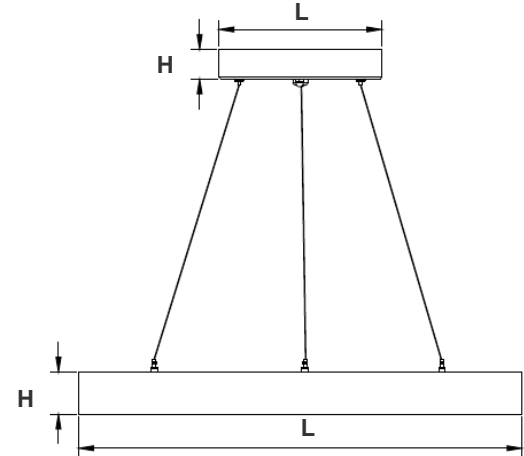
**WESTGATE**  
THE FUTURE IS HERE...AND IT'S QUITE BRIGHT!



Customer Name: \_\_\_\_\_

Project Name: \_\_\_\_\_

Note: \_\_\_\_\_ Type: \_\_\_\_\_



**Canopy Dimension: 8 3/5" (L) x 2 1/2" (H)**  
**Fixture Dimension: 23 3/5" (L) x 2 1/4" (H)**

A modern decorative Euro-design suspended light suitable for conference tables, creative offices and department stores.

## Features

- LED Superior Architectural Lights
- Aluminum Housing With Sandy White Finish
- MCTP: Multi Color Temperature and Power (Selectable, the switches are inside the Canopy)
- 5-Year Warranty

## Technical Specifications

### Electrical:

- Voltage: 120-277V AC 50/60Hz
- Wattage: 30W/40W/50W
- Power Factor: >0.98
- LPW: 102 LM/W
- Total Harmonic Distortion: ≤19 %

### Mechanical:

- Aluminum Housing With Sandy White Finish
- Three 10FT Adjustable Suspension Cables
- Opal Polycarbonate Lens - Direct Down Light,
- Operating Temperature: -46°F to 104°F
- IP Rating: IP20
- 5-Year Warranty

### Lighting:

- Dimmable: 0~10V Dimming
- Total Lumens: 5116LM
- Color Temperatures: 3000K/3500K/4000K
- MCTP: Multi Color Temperature and Power (Selectable, the switches are inside the Canopy)
- Color Rendering Index: CRI ≥ 80
- 50,000 Hours Rated Life
- Beam Angle: 114°(H) x 114°(V)

### Applications:

- Ideal for offices, hotels, corridors, saloons, libraries, meeting rooms, conference halls, and the best solution for modern lighting solutions
- It can be used in any indoor applications

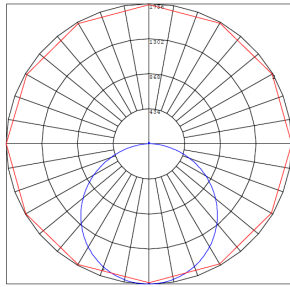
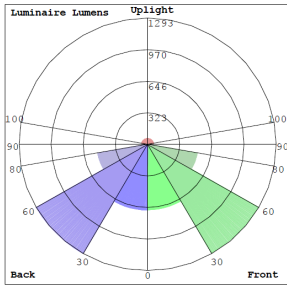


Phone: (877) 805-2252 | Fax: (877) 805-2252  
www.westgatemfg.com

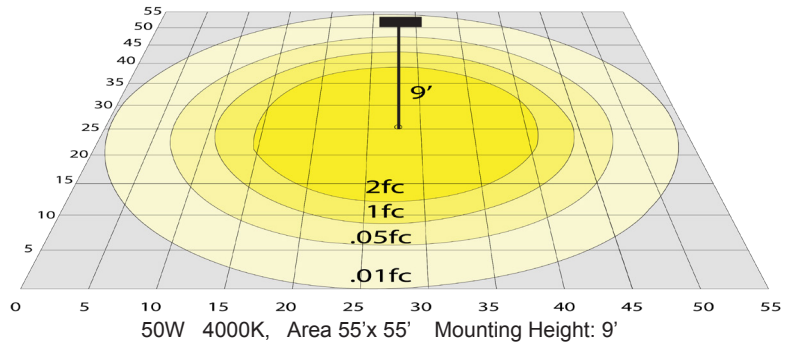


WG-04102022

## Photometrics: SCR-24D-MCTP-D



BUD Rating: B2-U3-G1

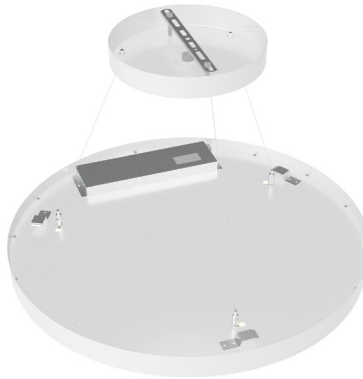


## Other Views:

Direct:



Side View



Top View



Bottom View

## Performance Table: SCR-24D-MCTP-D

MODEL NO.	Wattage	Voltage	Lumens	Color Temp.	BUG Rating	LPW
SCR-24D-MCTP-D	30W 40W 50W	120~277V	5116LM	3000K 3500K 4000K	B2-U3-G1	102

## Sample Ordering

**Model**    **Size**    **Color Temp.**    **Dimming**

SCR - 24D - MCTP - D

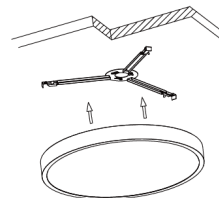
## Accessories:

Blank = No Option For Accessories  
SCR-24D-MCTP-SMB = SURFACE MOUNTING BRACKET FOR SCR-24D-MCTP-D

## Factory-Installed Options:

Blank = No Option For Accessories  
OPT-EM-SL1INT = EMERGENCY BACKUP INTERNAL BATTERY  
OPT-SEN-2US= ULTRASONIC BI-LEVEL DIMMING

## ACCESSORY:



SCR-24D-MCTP-SMB

## FACTORY-INSTALLED OPTIONS:



OPT-SEN-2US



OPT-EM-SL1INT

