

SCR SERIES Commercial Lighting

SCR-24D-MCTP-D
LED ARCHITECTURAL 24in ROUND SUSPENDED LIGHT

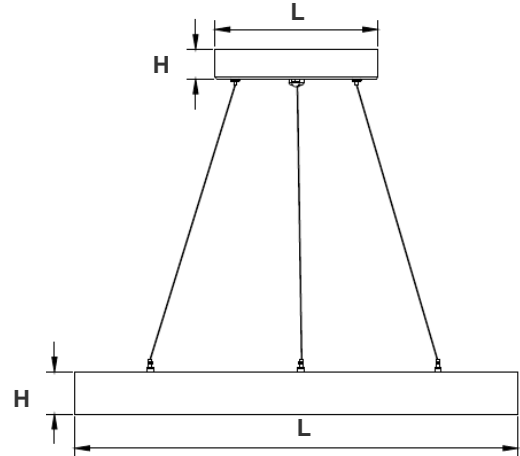
WESTGATE
THE FUTURE IS HERE...AND IT'S QUITE BRIGHT!



Customer Name: _____

Project Name: _____

Note: _____ Type: _____



Canopy Dimension: 8 3/5" (L) x 2 1/2" (H)
Fixture Dimension: 23 3/5" (L) x 2 1/4" (H)

A modern decorative Euro-design suspended light suitable for conference tables, creative offices and department stores.

Features

- LED Superior Architectural Lights
- Aluminum Housing With Sandy White Finish
- MCTP: Multi Color Temperature and Power (Selectable, the switches are inside the Canopy)
- 5-Year Warranty

Technical Specifications

Electrical:

- Voltage: 120-277V AC 50/60Hz
- Wattage: 30W/40W/50W
- Power Factor: >0.98
- LPW: 60 LM/W
- Total Harmonic Distortion: $\leq 19\%$

Mechanical:

- Aluminum Housing With Sandy White Finish
- Three 10FT Adjustable Suspension Cables
- Opal Polycarbonate Lens - Direct Down Light,
- Operating Temperature: -46°F to 104°F
- IP Rating: IP20
- 5-Year Warranty

Lighting:

- Dimmable: 0~10V Dimming
- Total Lumens: 3000LM
- Color Temperatures: 3000K/3500K/4000K
- MCTP: Multi Color Temperature and Power (Selectable, the switches are inside the Canopy)
- Color Rendering Index: CRI ≥ 80
- 50,000 Hours Rated Life
- Beam Angle: $114^{\circ}(\text{H}) \times 114^{\circ}(\text{V})$

Applications:

- Ideal for offices, hotels, corridors, saloons, libraries, meeting rooms, conference halls, and the best solution for modern lighting solutions
- It can be used in any indoor applications

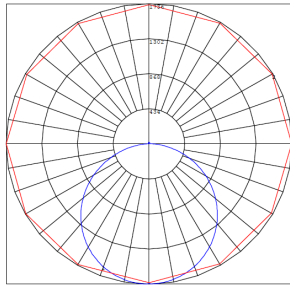
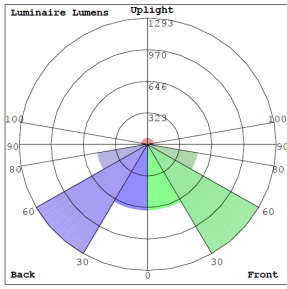


Phone: (877) 805-2252 | Fax: (877) 805-2252
www.westgatemfg.com

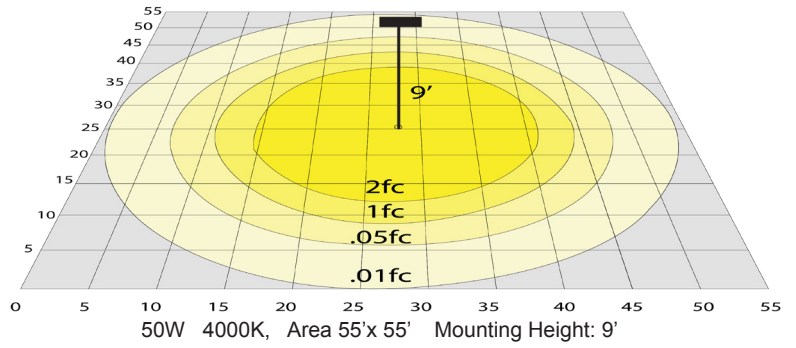


WG-04102022

Photometrics: SCR-24D-MCTP-D



BUD Rating: B2-U3-G1



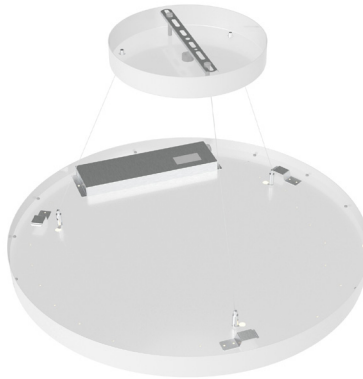
50W 4000K, Area 55'x 55' Mounting Height: 9'

Other Views:

Direct:



Side View



Top View



Bottom View

Performance Table: SCR-24D-MCTP-D

MODEL NO.	Wattage	Voltage	Lumens	Color Temp.	BUG Rating	LPW
SCR-24D-MCTP-D	30W	120~277V	1800LM	3000K 3500K 4000K	B2-U3-G1	60
	40W		2400LM			
	50W		3000LM			

Sample Ordering

Model **Size** **Color Temp.** **Dimming**

SCR - 24D - MCTP - D

Factory-Installed Options:

Blank = No Option For Accessories

OPT-EM-SL1INT = EMERGENCY BACKUP INTERNAL BATTERY

OPT-SEN-2US= ULTRASONIC BI-LEVEL DIMMING

FACTORY-INSTALLED OPTIONS:



OPT-SEN-2US



OPT-EM-SL1INT

Example:

1.SCR-24D-MCTP-D
OPT-EM-SL1INT

(For SCR 30W MCTP fixture 120-277V)
(EMERGENCY BACKUP INTERNAL BATTERY)

