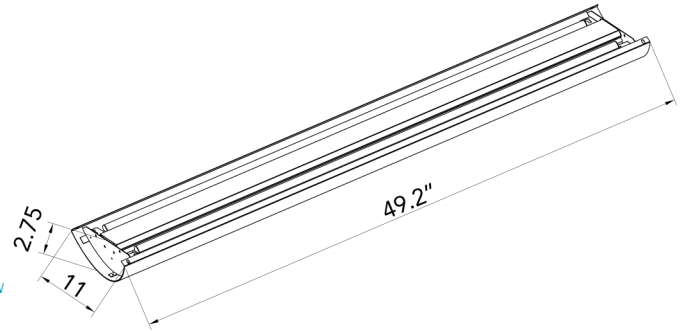




DIMENSIONS:

49.2"(L) x 11"(W) x 2.75"(H)



SCPL-UD-4FT-60W-MCT-D

LED LINEAR SUPENDED LIGHTS (UP/DOWN)

Ideal for hotel, offices, retail outlets, restaurant, parking garages, storage room, conference room, education facilities and more.

ELECTRICAL SPECIFICATIONS:

- Voltage: 120-277VAC 50/60Hz
- Wattage: UP/DOWN: 40W/20W or 60W Down only
- Power factor: >0.95
- Efficacy: 110LM/W

HOUSING SPECIFICATIONS:

- Anodized Aluminum housing
- 4FT. long white finish fixture
- Operating temperature: -13°F ~ 104°F
- Lifespan: 50,000 hrs.
- IP rating: IP20

CERTIFICATIONS: UL



OPTIONAL ACCESSORIES:



SCLP-UD-CB



SCL-6FT-SJTW18/5



SCL-CSY

MODEL	DESCRIPTION
SCL-CSY	Adjustable 6 Ft. Suspension Kit Select a Y-Connector Key Hole Set (Not Included)
SCL-6FT-SJTW18/5	6Ft. Cord SJTW 18 AWG 5-Conductor (Not Included)
SCLP-UD-CB	Coupling Bracket (Not Included)

LIGHTING SPECIFICATIONS:

- Dimming: 0~10V dimmable
- Lens: Louver Lens
- Total lumens: UP/DOWN: 4400LM/2100LM
- Color temperature: 5000K/4000K/3500K
- Color rendering index: >80

WARRANTY: 5 years

