

SCL SERIES

SCL-CS1-12FT-BK

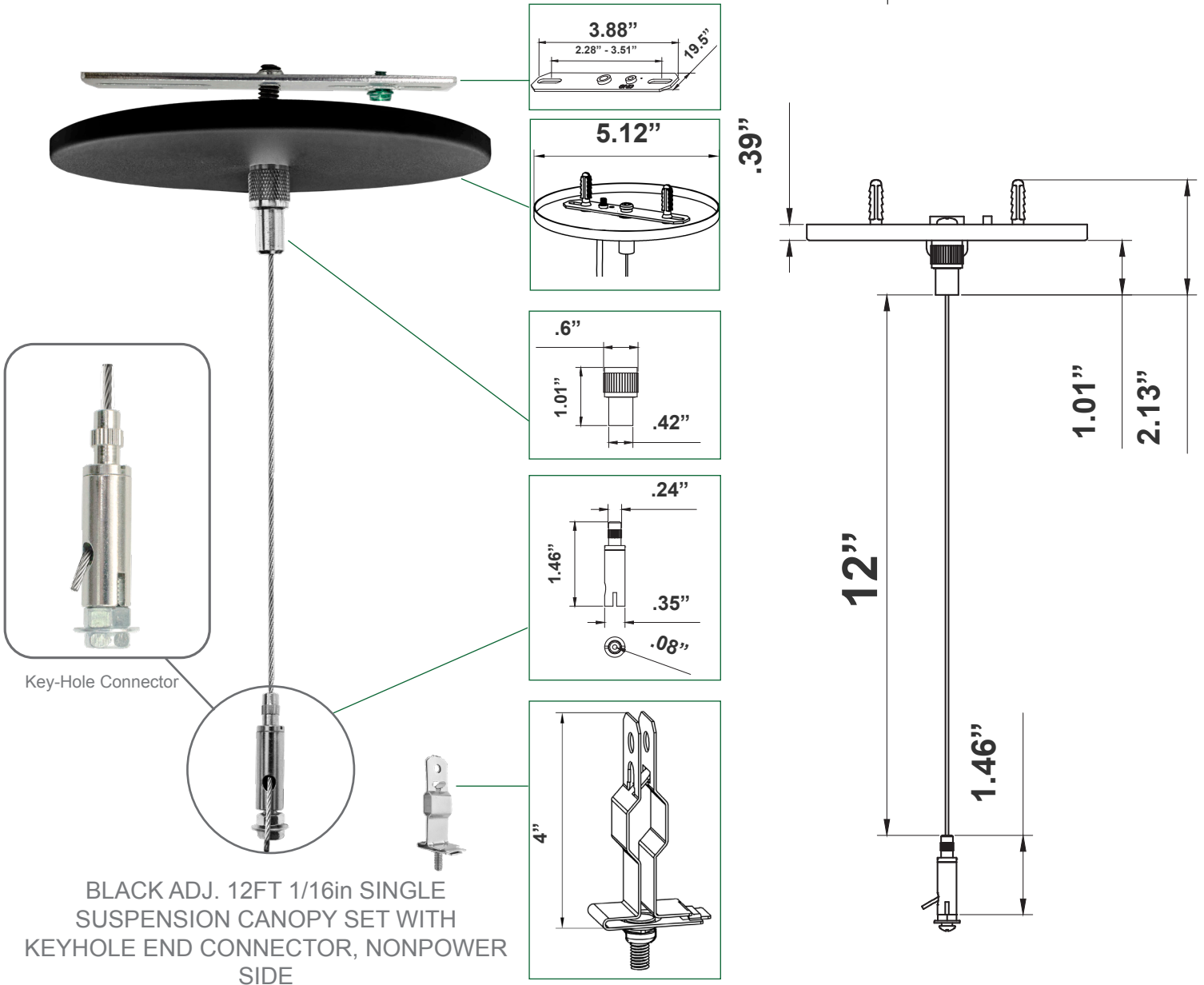
WESTGATE
THE FUTURE IS HERE...AND IT'S QUITE BRIGHT!

Customer Name: _____

Project Name: _____

Note: _____

Type: _____



Mechanical:

- Adjustable Steel Aircraft Cable, 12FT Long Max.
- 1/16 Dia. Aircraft Cable
- Zinc-Plated Steel Connectors
- Steel Canopy, Black Powder Coated
- Max Load: 70 Lbs.
- Fits on a Standard 3" or 4" Junction Boxes.
- Fits on T-Bar Ceilings
- Steel T-bar Clip Included

WESTGATE

Phone: (877) 805-2252 | Fax: (877) 805-2252
www.westgatemfg.com



Related Models:



SCL-CS1P-12FT-NC-BK

Accessories & Replacement Parts:



SCL-100FT-SJTW18/5-BK
WHITE 100 FT. CORD, SJTW 18 AWG
5-CONDUCT (WH/BK/GN/PU/GY)



SCL-100FT-SJTW18/6-BK
WHITE 100 FT. CORD, SJTW 18 AWG
6-CONDUCT (WH/BK/GN/PU/GY +
RED FOR EMERGENCY)



SCL-12FT-SJTW18/5-BK
WHITE 12 FT. CORD, SJTW 18 AWG
5-CONDUCT (WH/BK/GN/PU/GY)



SCL-12FT-SJTW18/6-BK
WHITE 12 FT. CORD, SJTW 18 AWG
6-CONDUCT (WH/BK/GN/PU/GY +
RED FOR EMERGENCY)



SCL-ASC-500FT
1/16" 500 FT. STEEL AIRCRAFT
SUSPENSION
CABLE



SCL-ASC-1000FT
1/16" 1000 FT. STEEL AIRCRAFT
SUSPENSION CABLE



SCL-ASC-50FT
1/16IN 50FT ROLL STEEL AIRCRAFT
SUSPENSION CABLE



SCL-ASC-100FT
1/16IN 100FT ROLL STEEL AIRCRAFT
SUSPENSION CABLE



SCL-TBC-WN
T-BAR CLIP WITH SUSPENSION HOLE
ON TOP, WING NUT AND WASHER
INCL.



SCL-AKHC
AUXILIARY KEYHOLE CONNECTOR
FOR AIRCRAFT SUSPENSION CABLE,
1/16"



SCL-CTB
CANOPY SET TOP BRACKET FOR
MOUNTING ON JUNCTION BOX OR
CEILING



SCL-YCK
ADJ. 1/16in Y CONVERSION
SUSPENSION CABLE WITH
TOGGLE ENDS



SCL-TG1420
AUXILIARY TOP GRIPPER SIDE EXIT
WITH 1/4-20 THREAD FOR 1/16IN
AIRCRAFT
CABLE

