

# SCL SERIES

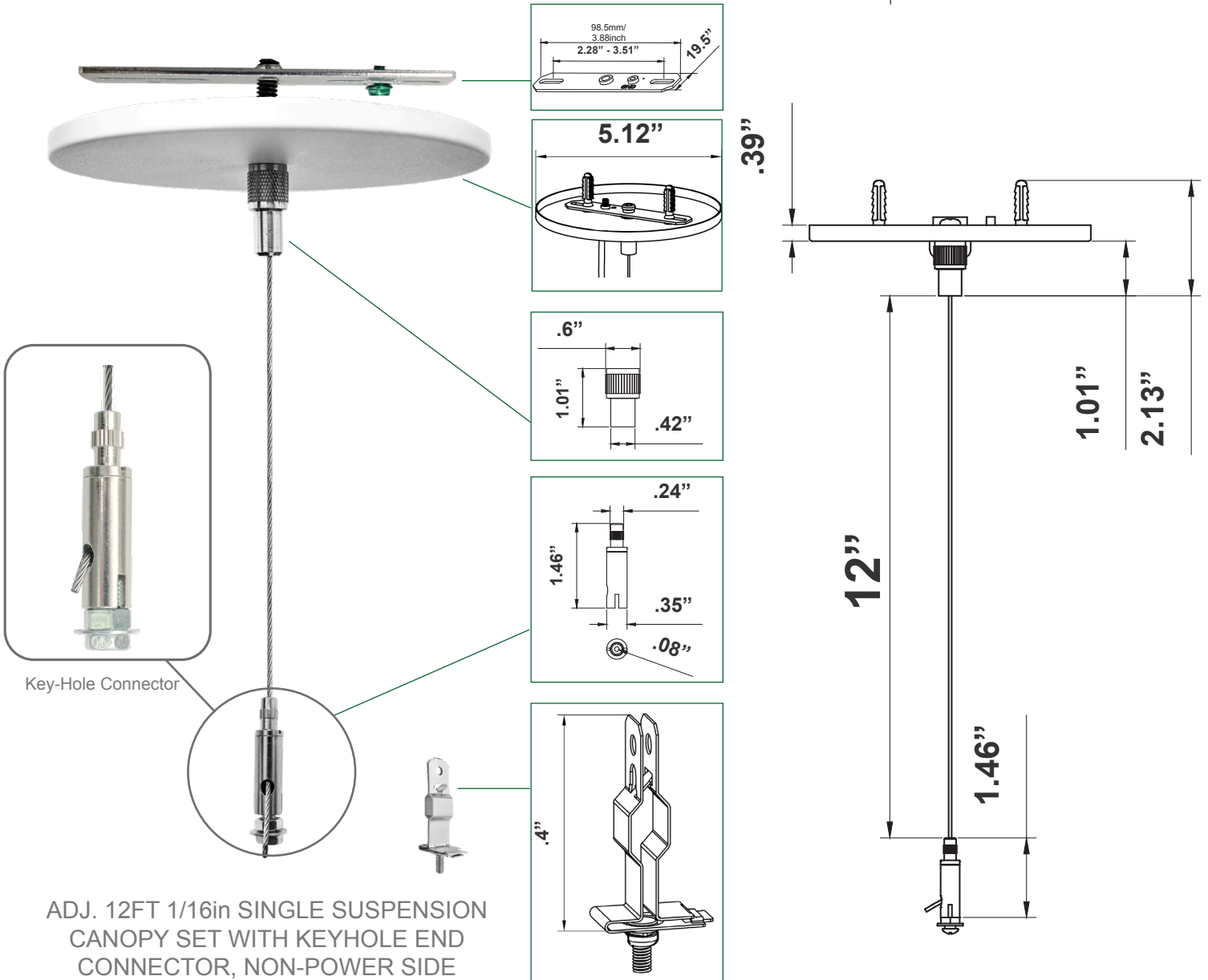
SCL-CS1-12FT

Customer Name: \_\_\_\_\_

Project Name: \_\_\_\_\_

Note: \_\_\_\_\_

Type: \_\_\_\_\_



## Mechanical:

- Adjustable Steel Aircraft Cable, 12FT Long Max.
- 1/16 Dia. Aircraft Cable
- Zinc-Plated Steel Connectors
- Steel Canopy, White Powder Coated
- Max Load: 70 Lbs.
- Fits on a Standard 3" or 4" Junction Boxes.
- Fits on T-Bar Ceilings
- Steel T-bar Clip Included



**Related Models:**



SCL-CS1P-12FT-NC

**Accessories & Replacement Parts:**



**SCL-12FT-SJTW18/5**  
WHITE 12 FT. CORD, SJTW 18 AWG  
5-CONDUCT ( WH/BK/GN/PU/GY)



**SCL-12FT-SJTW18/6**  
WHITE 12 FT. CORD, SJTW 18 AWG  
6-CONDUCT ( WH/BK/GN/PU/GY +  
RED FOR EMERGENCY)



**SCL-100FT-SJTW18/5**  
WHITE 100 FT. CORD, SJTW 18 AWG  
5-CONDUCT ( WH/BK/GN/PU/GY)



**SCL-100FT-SJTW18/6**  
WHITE 100 FT. CORD, SJTW 18 AWG  
6-CONDUCT ( WH/BK/GN/PU/GY +  
RED FOR EMERGENCY)



**SCL-ASC-50FT**  
1/16IN 50FT ROLL STEEL AIRCRAFT  
SUSPENSION CABLE



**SCL-ASC-100FT**  
1/16IN 100FT ROLL STEEL AIRCRAFT  
SUSPENSION CABLE



**SCL-ASC-500FT**  
1/16" 500 FT. STEEL AIRCRAFT  
SUSPENSION  
CABLE



**SCL-ASC-1000FT**  
1/16" 1000 FT. STEEL AIRCRAFT  
SUSPENSION CABLE



**SCL-CTB**  
CANOPY SET TOP BRACKET FOR  
MOUNTING ON JUNCTION BOX OR  
CEILING



**SCL-ABC**  
AUXILIARY BLANK CANOPY FOR  
SUSPENSION CABLES



**SCL-TBC-WN**  
T-BAR CLIP WITH SUSPENSION HOLE  
ON TOP, WING NUT AND WASHER  
INCL.



**SCL-AKHC**  
AUXILIARY KEYHOLE CONNECTOR  
FOR AIRCRAFT SUSPENSION CABLE,  
1/16"



**SCL-YCK**  
ADJ. 1/16in Y CONVERSION  
SUSPENSION CABLE WITH  
TOGGLE ENDS



**SCL-TG1420**  
AUXILIARY TOP GRIPPER SIDE EXIT  
WITH 1/4-20 THREAD FOR 1/16IN  
AIRCRAFT  
CABLE

