

RSLC8-BF-MCT5

MCT5 Multi Color Temperature (Selectable)

Customer Name: _____

Project Name: _____

Note: _____

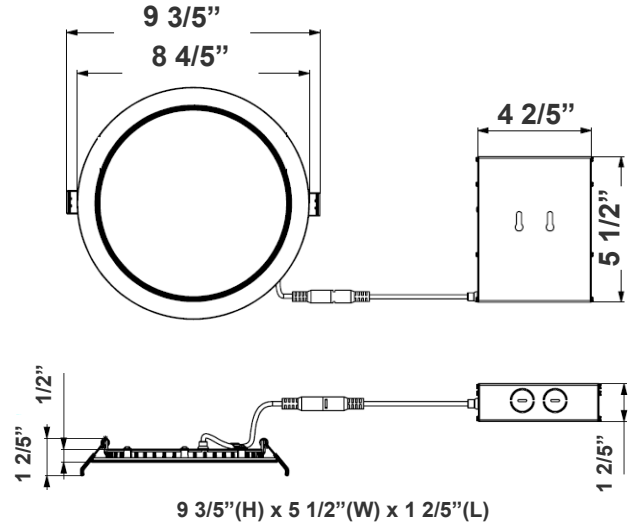
Type: _____



Selection:



This is a 8" LED Commercial Slim Recessed Regressed Baffle Lights which are Ideal for New as Well as Old Residential and Commercial Constructions.



Features

- Optics: White Translucent Acrylic
- Die-Cast Aluminum With Powder Coat Finish
- MCT5: Multi Color Temperature (Selectable)
- Junction Box Included With Fixture
- 7-Year Warranty

Technical Specifications

Electrical:

- Voltage: 120-277V
- Wattage: 18W
- Power Factor: >0.9
- Efficacy: 80 LPW

Mechanical:

- Die-Cast Aluminum With White Powder Coat Finish
- Junction Box Included With Fixture
- Junction Box thickness: 1-3/8"
- Cut-out Hole Diameter: 7-1/3"
- 24" DC cord from driver box to fixture
- Operating Temperature: -4°F to 104°F
- Recessed Mounting
- 5-Year Warranty
- Suitable for Damp location

Lighting:

- MCT5: Multi Color Temperature (Selectable)
- Dimming: 0-10V Dimmable
- Optics: White Translucent Acrylic
- Total Lumens: 1440 LM
- Color Temperatures: 2700K/3000K/3500K/4000K/5000K
- Color Rendering Index: CRI ≥ 90
- Rated life: 50,000 Hrs
- Beam Angle: 110°

Applications:

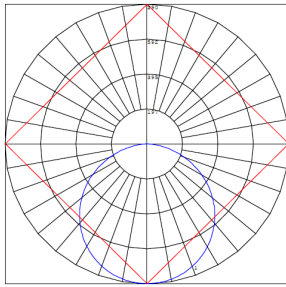
- New as well as Old Residential
- Commercial Constructions

Other Models:

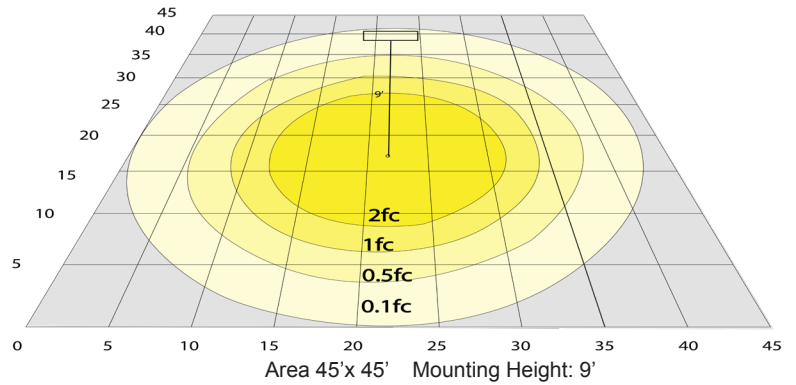
- 15W | 1200LM | RSLC6-BF-MCT5



Photometrics: RSLC8-BF-MCT5



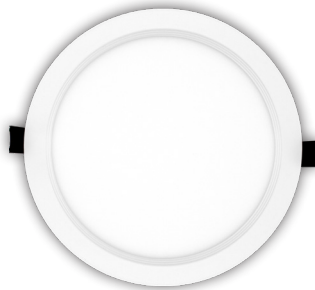
BUG Rating: B1-U2-G1



Other Views:



Side View



Front View



Back View

Performance Table: RSLC8-BF-MCT5

MODEL NO.	Wattage	Voltage	Lumens	Color Temp.	BUG Rating	LPW
RSLC8-BF-MCT5	18W	120~277V	1440LM	2700K 3000K 3500K 4000K 5000K	B1-U2-G1 B1-U2-G1 B1-U2-G1	80

Sample Ordering

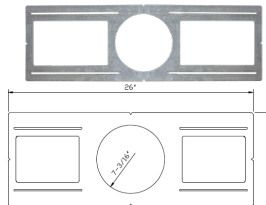
Model Baffle Color Temp.

RSLC8 - BF - MCT5

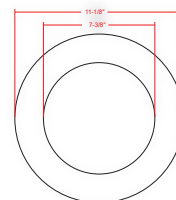
Accessories:

Blank = No Option For Accessories
 RSL8-RI = 8" Round Rough-in Plate, 26" Long
 RSL8-GR = GOOF RING FOR 8in LIGHTS WITH BUTTERFLY WINGS

ACCESSORIES:



RSL8-RI
26" x 9 7/8"



RSL8-GR
11 1/8"

