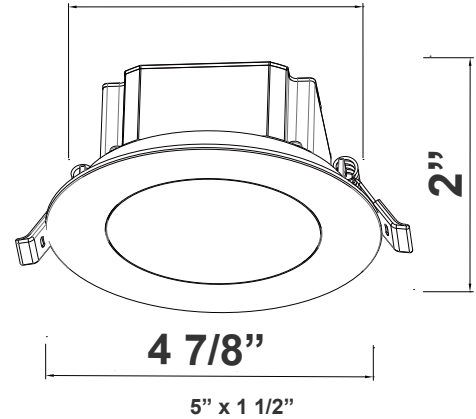


RSL SERIES RESIDENTIAL LIGHTING

RSL4-JB-MCT5
SLIM SNAP-IN RECESSED LIGHTS WITH J-BOX, 5CCT
MCT Multi Color Temperature (Selectable)



Customer Name: _____
Project Name: _____
Note: _____ Type: _____



SLIM SNAP-IN RECESSED LIGHTS WITH J-BOX - 4" ROUND
Ideal for New As Well As Old Residential And Commercial
Constructions.

Features

- 4" Smooth Recessed Trim
- Multi CCT (Selectable Switch on the Back of the driver)
- Isolated Driver for Improved Thermal Management
- 5-Year Warranty
- Spun Aluminum with White Powder Coat Finish

Technical Specifications

Electrical:

- Wattage: 10W
- Voltage: 120V AC
- Output Voltage: 36VDC
- Power Factor: >0.90
- Total Harmonic Distortion: ≤15 %
- Efficacy: 65 LPW

Mechanical:

- Two 1/2" Knuckout on the Junction Box
- Up to 9 AWG18 Wires
- Die-cast Aluminum with white powder coat finish
- Pot Light Housing is Not Required Even for Insulated Ceiling
- Maximum Ambient Temperature: -40°F to 104°F
- Damp Location

Lighting:

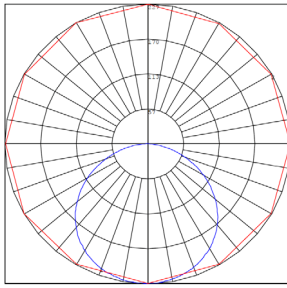
- Dimming: Dimmable Down to 10% Using a Standard TRIAC LED Dimmer
- Lens: 0.125" White Translucent Acrylic
- Can Rotate after Installation to Align
- LED: Seoul DOB (Driver On Board) Technology
- Optics: White Translucent Acrylic
- Total Lumens: 650LM
- Color Temperatures: 2700K/3000K/3500K/4000K/5000K
- Multi CCT (Selectable Switch on the Back of the driver)
- Color Rendering Index: CRI ≥ 80
- Beam Angle: 100°-110°
- Rated Life: 50,000 hrs

Applications:

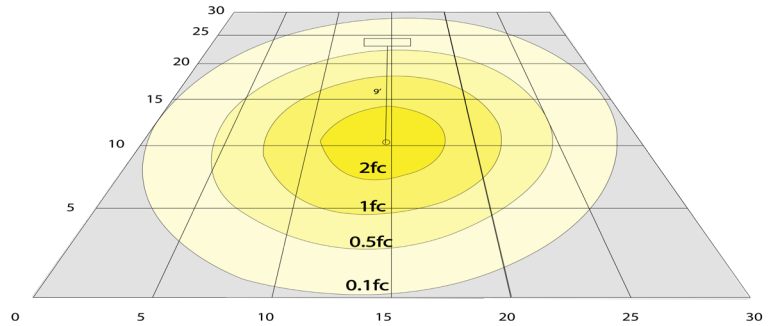
- LED recessed trims have been designed to be a flexible lighting solution for new construction applications, Ideal for closets, storage areas, attics, corridors, or general lighting solutions for residential and commercial applications



Photometrics: RSL4-JB-MCT5



BUG Rating: B2-U1-G0

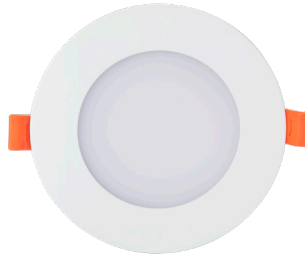


9W 5000K, Area 30'x 30' Mounting Height: 9'

Other Views:



Side View



Front View



Back View

Performance Table: RSL4-JB-MCT5

MODEL NO.	Wattage	Voltage	Lumens	Color Temp.	BUG Rating	LPW
RSL4-JB-MCT5	10W	120V	650LM	2700K	B2-U1-G0	65
				3000K		
				3500K		
				4000K		
				5000K		

Sample Ordering

Model Style Color Temp.

RSL4 - JB - MCT5

Accessories:

Blank = No Option For Accessories

RSL-EXT-10FT-MCT = 10 FT. EXTENSION CABLE FOR USE WITH ALL SLIM LIGHT

RSL4-RI-13 = 4" ROUND ROUGH-IN PLATE, 13" LONG

RSL4-RI = 4" ROUND ROUGH-IN PLATE, 26" LONG

RSL-346-RIBH = 3", 4", 6" (ADJUSTABLE) ROUND GALVANIZED PLATE WITH BAR HANGERS

E26-CONVERTER = SCREW-IN ADAPTER THAT FITS ANY STANDARD

ACCESSORIES:



E26-CONVERTER
Includes Medium Base E-26
Screw-in Adapter That Fits Any
Standard



RSL4-RI-13
4" Round Rough-in Plate,
13" Long



RSL-EXT-10FT-MCT
10 Ft. Extension Cable For use
with all Slim Light



RSL-346-RIBH
3", 4", 6" (Adjustable) Round Galvanized
plate with Bar Hangers



RSL4-RI
4" Round Rough-in Plate,
26" Long

Factory-Installed Option:

Blank = No Option For Accessories

OPT-EM-DL1EXT = EXTERNAL BATTERY BACKUP

FACTORY-INSTALLED OPTION:



OPT-EM-DL1EXT
EXTERNAL BATTERY BACKUP



Compatible Dimmer List:

MODEL NO.	BRAND
6631-1LT	LEVITON
MACL-153MLH-AL	LUTRON
TGCL-153PH-LA	LUTRON
DVW-603PGH-WH	LUTRON
CT-600PR-WH	LUTRON
LGCL-153PHL-IV	LUTRON
TGCL-153PH-LA	LUTRON
LSLV603PWV	LUTRON
6674-POW	LEVITON
DVCL-153P	LUTRON
MSCL-OP153P	LUTRON
CTCL-153P	LUTRON
MACL-153M	LUTRON
HCL453PTCCCV6	PASS & SEYMOUR
LSLV603PWV	PASS & SEYMOUR

