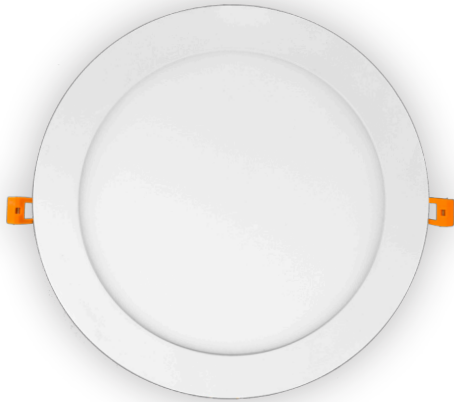


RSL SERIES RESIDENTIAL LIGHTING

RSL12-MCT5

LED ULTRA SLIM RECESSED LIGHTS

MCT5 Multi Color Temperature (Selectable)

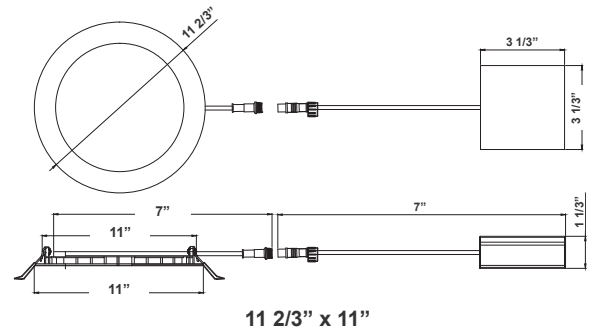


Customer Name: _____

Project Name: _____

Note: _____

Type: _____



LED DOWNLIGHTS (SMOOTH TRIM) - 12" ROUND Ideal for New As Well As Old Residential And Commercial Constructions.

Features

- 12" Smooth Recessed Trim
- Multi CCT (Selectable Switch on the Back of the driver)
- Isolated Driver for Improved Thermal Management
- 5-Year Warranty
- Spun Aluminum with White Powder Coat Finish

Technical Specifications

Electrical:

- Voltage: 120V AC
- Output Voltage: 36VDC
- Power Factor: >0.90
- Wattage: 24W
- Efficacy: 75 LPW
- Total Harmonic Distortion: $\leq 15\%$

Mechanical:

- 1/4" Thick
- Up to 9 AWG18 Wires
- Die-Cast Aluminum With White Powder Coat Finish
- Pot Light Housing is Not Required Even for Insulated Ceiling
- Junction Box 1" Thick Included With Fixture
- Type Crated: Approved For Direct Contact With Insulation
- Maximum Ambient Temperature: -4°F to 104°F
- Damp Location

Lighting:

- Dimming: Dimmable Down to 10% Using a Standard TRIAC LED Dimmer
- Lens: 0.125" White Translucent Acrylic
- Can Rotate After Installation to Align
- LED: Seoul DOB (Driver On Board) Technology
- Optics: White Translucent Acrylic
- Total Lumens: 1800LM
- Color Temperatures: 2700K/ 3000K/ 3500K/ 4000K/ 5000K
- Multi CCT (Selectable Switch On The Back Of The Driver)
- Color Rendering Index: CRI ≥ 80
- Beam Angle: 100° - 110°
- Rated Life: 50,000 hrs

Applications:

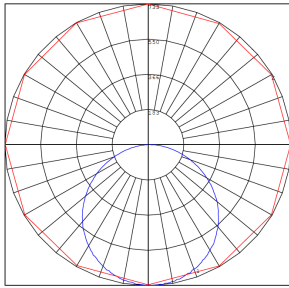
- LED recessed trims have been designed to be a flexible lighting solution for new construction applications, Ideal for closets, storage areas, attics, corridors, or general lighting solutions for residential and commercial applications

Other Models:

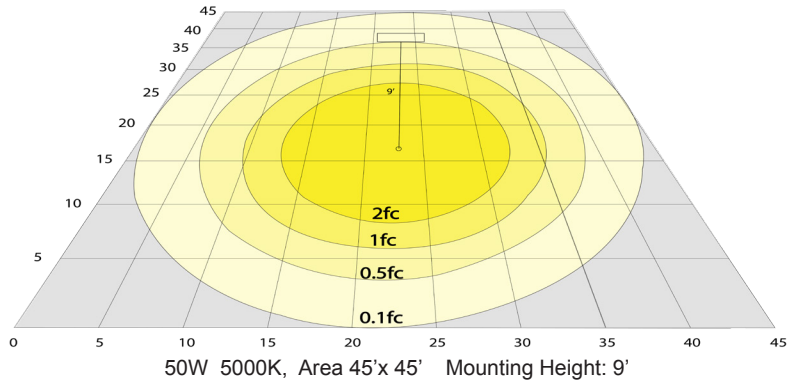
• 6W | 400LM | RSL3-MCT5 • 9W | 630LM | RSL4-MCT5 • 15W | 1125LM | RDL6-MCT5 • 18W | 1350LM | RSL8-MCT5 • 20W | 1500LM | RSL10-MCT5



Photometrics: RSL12-MCT5



BUG Rating: B1-U2-G1



Other Views:



Side View



Front View



Junction box 1-1/4" thick included with fixtures

Back View

Performance Table: RSL12-MCT5

MODEL NO.	Wattage	Voltage	Lumens	Color Temp.	BUG Rating	LPW
RSL12-MCT5	24W	120V	1800LM	2700K	B1-U2-G1	75
				3000K		
				3500K		
				4000K		
				5000K		

Sample Ordering

Model Color Temp.

RSL12 - MCT5

Accessories:

Blank = No Option For Accessories
 RSL-EXT-10FT-MCT = 10 FT. EXTENSION CABLE FOR USE WITH ALL SLIM LIGHT
 RSL12-RI = 12" Round Rough-in Plate, 26" Long
 RSL12-GR = GOOF RING FOR 12IN LIGHTS WITH BUTTERFLY WINGS

Factory-Installed Option:

Blank = No Option For Accessories
 OPT-EM-DL1EXT = EXTERNAL BATTERY BACKUP

ACCESSORIES:



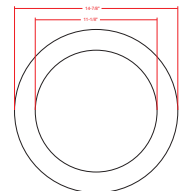
RSL-EXT-10FT-MCT
 10 Ft. Extension Cable For use with all Slim Light



RSL12-RI
 12" Round Rough-in Plate, 26" Long



RSL12-GR
 Goof Ring For 12in Lights With Butterfly Wings



FACTORY-INSTALLED OPTION:



OPT-EM-DL1EXT
 EXTERNAL BATTERY BACKUP

Example:

1. RSL12-MCT5

(FOR RSL12 20W MCT5 FIXTURE 120V)

2. RSL12-MCT5

(FOR RSL12 20W MCT5 FIXTURE 120V)

OPT-EM-DL1EXT

(EXTERNAL BATTERY BACKUP)



Compatible Dimmer List:

MODEL NO.	BRAND
6631-1LT	LEVITON
MACL-153MLH-AL	LUTRON
TGCL-153PH-LA	LUTRON
DVW-603PGH-WH	LUTRON
CT-600PR-WH	LUTRON
LGCL-153PHL-IV	LUTRON
TGCL-153PH-LA	LUTRON
LSLV603PWV	LUTRON
6674-POW	LEVITON
DVCL-153P	LUTRON
MSCL-OP153P	LUTRON
CTCL-153P	LUTRON
MACL-153M	LUTRON
HCL453PTCCCV6	PASS & SEYMOUR
LSLV603PWV	PASS & SEYMOUR

