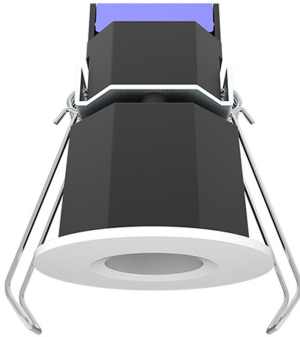


RDL1S SERIES RESIDENTIAL LIGHTING

RDL1S-ST-MCT5-WH
1" HIGH-OUTPUT LOW-GLARE CANLESS RECESSED LIGHTS

MCT5 Multi Color Temperature (Selectable)

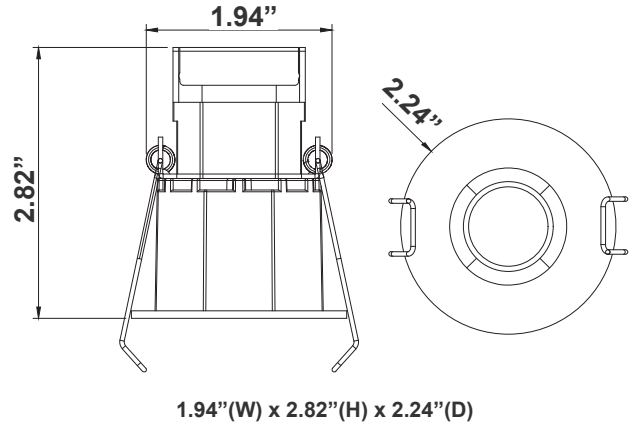


Customer Name: _____

Project Name: _____

Note: _____

Type: _____



LED DOWNLIGHTS (SMOOTH and BAFFLE TRIM) - 4" LED Anti-glare Downlight Comes Complete With An External Driver In a Junction Box. Commercial Grade Quality With Architectural Design

Features

- Multi CCT (Selectable Switch on the Back of the driver)
- 5-Year Warranty
- Durable, Die-Cast Aluminum Alloy For Optimal Heat Dissipation

Technical Specifications

Electrical:

- Voltage: 120V AC
- Output Voltage: 36VDC
- Power Factor: >0.90
- Wattage: 8W
- Efficacy: 75 LPW
- Total Harmonic Distortion: ≤15 %

Mechanical:

- 1-1/4" Thick
- Up to 9 AWG 18 Wires
- Durable, Die-Cast Aluminum Alloy For Optimal Heat Dissipation
- Junction box Included, Install Directly in Insulated Ceilings (IC) Without Any Thermal Housing
- Maximum Ambient Temperature: -40°F to 104°F
- Damp Location
- 5-Year Warranty

Lighting:

- Multi CCT (Selectable Switch On The Back Of The Driver)
- Can Rotate After Installation To Align
- LED: High Brightness COB LED
- Optics: PC Lens For Even Lumen Distribution
- Total Lumens: 600LM
- Color Temperatures: 2700K/3000K/3500K/4000K/5000K
- Color Rendering Index: CRI ≥ 90
- Beam Angle: 15/24/36°
- Rated Life: 50,000 hrs

Applications:

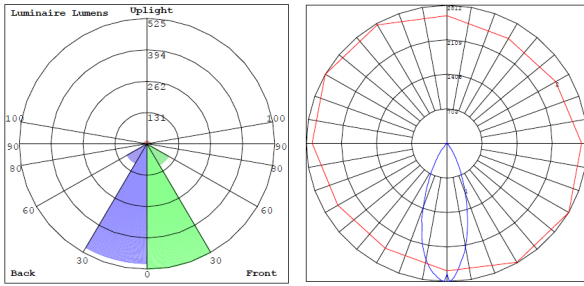
- Suitable for jewelry stores, boutiques, luxury goods stores, shopping malls, and other spaces that require focused and accent lighting.

Other Models:

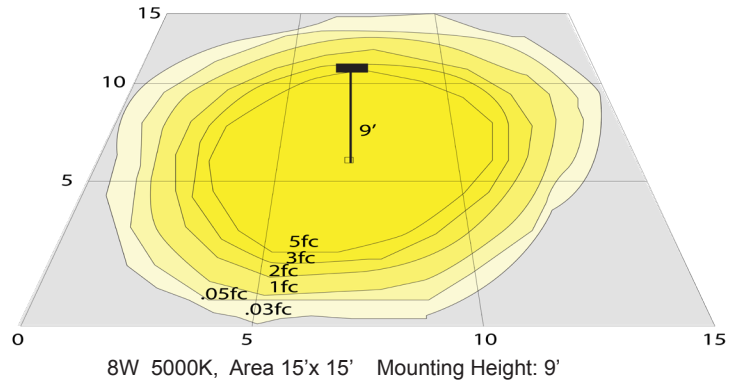
- 8W | 600LM | SDL1S-ST-MCT5-BK
- 8W | 600LM | SDL1S-ST-MCT5-WH



Photometrics: RDL1S-ST-MCT5-WH



BUG Rating: B2-U2-G0



8W 5000K, Area 15'x 15' Mounting Height: 9'

Other Views:



Side View



Junction box 1-1/4" thick included with fixtures
Back View

Performance Table: RDL1S-ST-MCT5-WH

MODEL NO.	Wattage	Voltage	Lumens	Color Temp.	BUG Rating	LPW
RDL1S-ST-MCT5-WH	8W	120V	600LM	2700K 3000K 3500K 4000K 5000K	B2-U2-G0	75

Sample Ordering

Model Trim Color Temp. Color
 - - -

Accessories:

Blank = No Option For Accessories

RSL-1-RIBH = 1IN (ADJUSTABLE) GALVANIZED MOUNTING PLATE WITH BAR HANGERS

Factory-Installed Option:

Blank = No Option For Accessories

OPT-EM-DL1EXT = EXTERNAL BATTERY BACKUP

ACCESSORIES:



RSL-1-RIBH
1in (Adjustable) Galvanized Mounting Plate with Bar Hangers

FACTORY-INSTALLED OPTION:



OPT-EM-DL1EXT
EXTERNAL BATTERY BACKUP



Compatible Dimmer List:

MODEL NO.	BRAND
6631-1LT	LEVITON
MACL-153MLH-AL	LUTRON
TGCL-153PH-LA	LUTRON
DVW-603PGH-WH	LUTRON
CT-600PR-WH	LUTRON
LGCL-153PHL-IV	LUTRON
TGCL-153PH-LA	LUTRON
LSLV603PWV	LUTRON
6674-POW	LEVITON
DVCL-153P	LUTRON
MSCL-OP153P	LUTRON
CTCL-153P	LUTRON
MACL-153M	LUTRON
HCL453PTCCCV6	PASS & SEYMOUR
LSLV603PWV	PASS & SEYMOUR

