

POL SERIES Outdoor Lighting

POL-D1-120-3PC-BR
DECORATIVE 3-PIECE LIGHT POLE

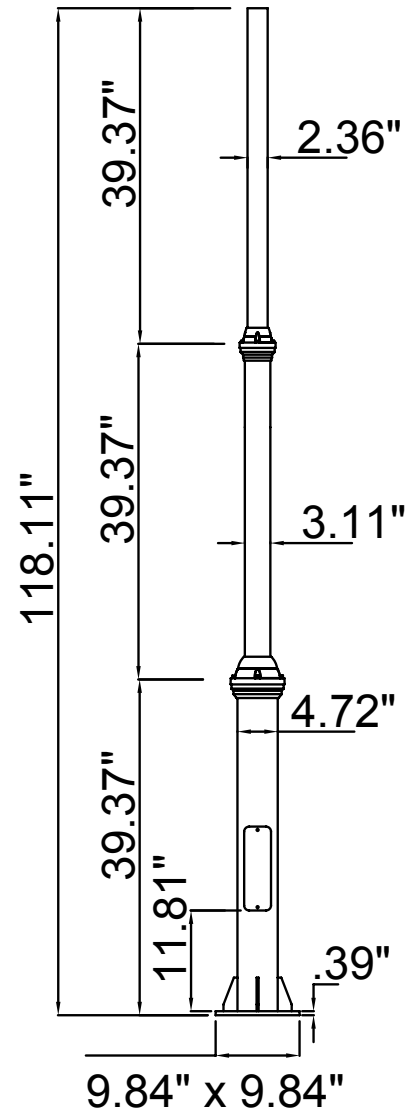
Customer Name: _____

Project Name: _____

Note: _____

Type: _____

Components:



Avail Finishes:



This stylish and durable 3-piece light pole is designed to enhance outdoor lighting projects with a blend of aesthetics and functionality. Engineered for stability and corrosion resistance, it's perfect for commercial and residential landscapes. The modular design ensures easy installation and maintenance, while its compatibility with a wide range of luminaire fixtures makes it a versatile choice for various applications. Ideal for walkways, streetscapes, and parking lots, this light pole provides long-lasting performance while complementing the surrounding architecture.



DECORATIVE 3-PIECE LIGHT POLE:

MODEL NO.	Descriptions
POL-D1-120-3PC-BR	120In Decorative Pole D1 Series, 3Pc, 2.36In Tenon, Bronze

Accessories:

Blank = No Option For Accessories

POL-D1-ABK = D1 Series Pole Anchor Bolt Kit 9/16 (M14)

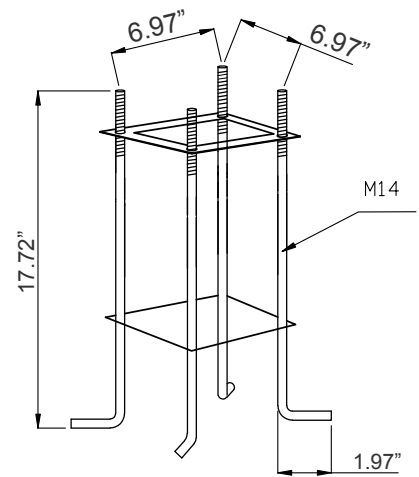
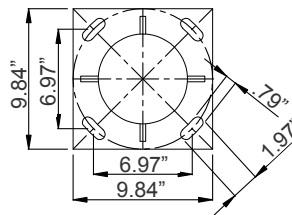
POL-D1-BASECVR-BR = D1 Series Pole 2-Pc Cube Base Cover, Bronze

POL-D1-BASECVR-BK = D1 Series Pole 2-Pc Cube Base Cover, Black

ACCESSORIES:



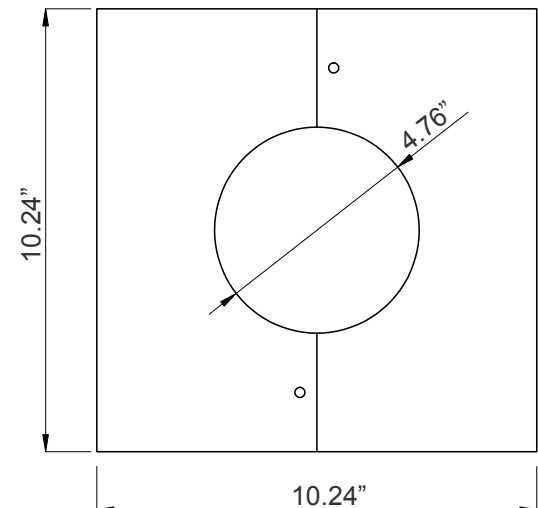
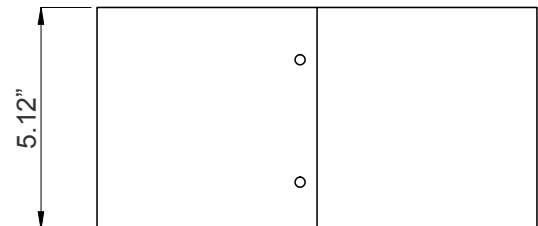
POL-D1-ABK



17.72" (H) x 9.84" (W) x 9.84" (D)



POL-D1-BASECVR-BR

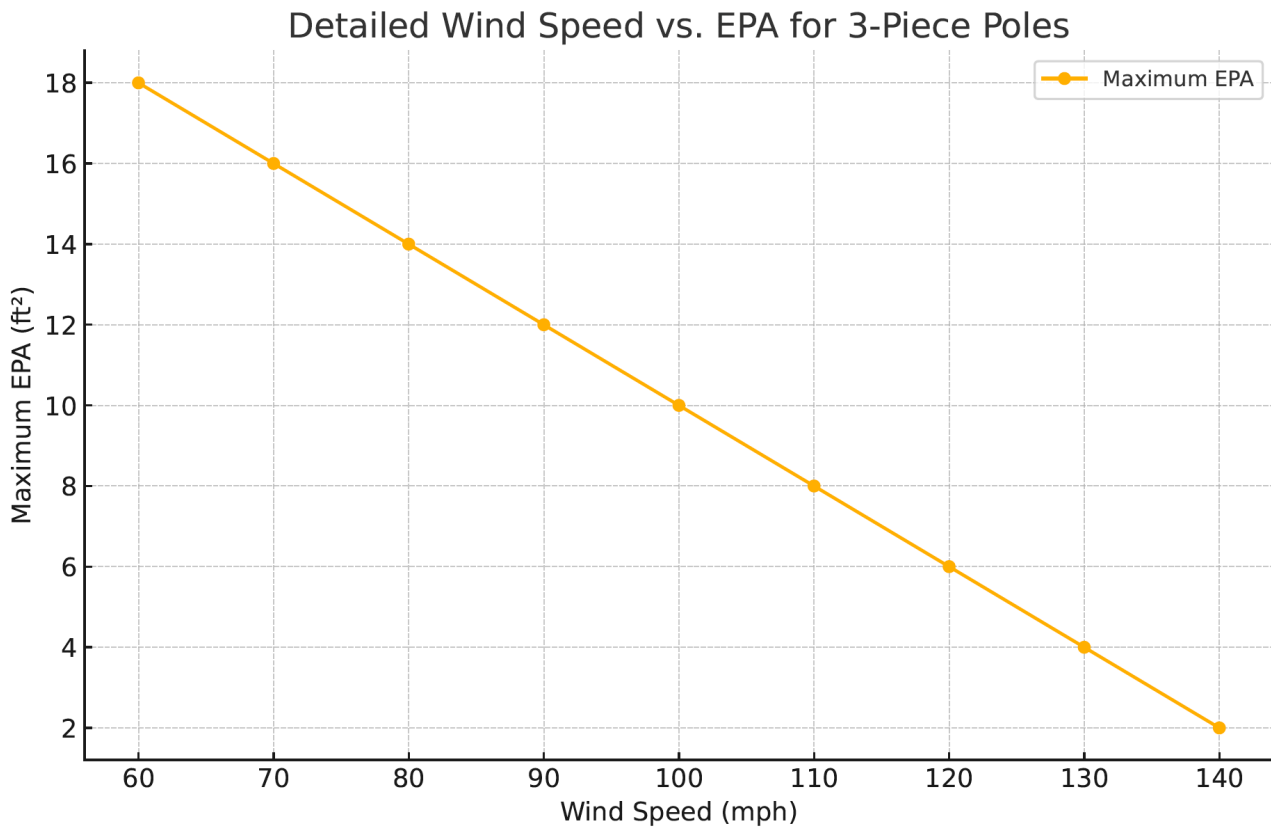
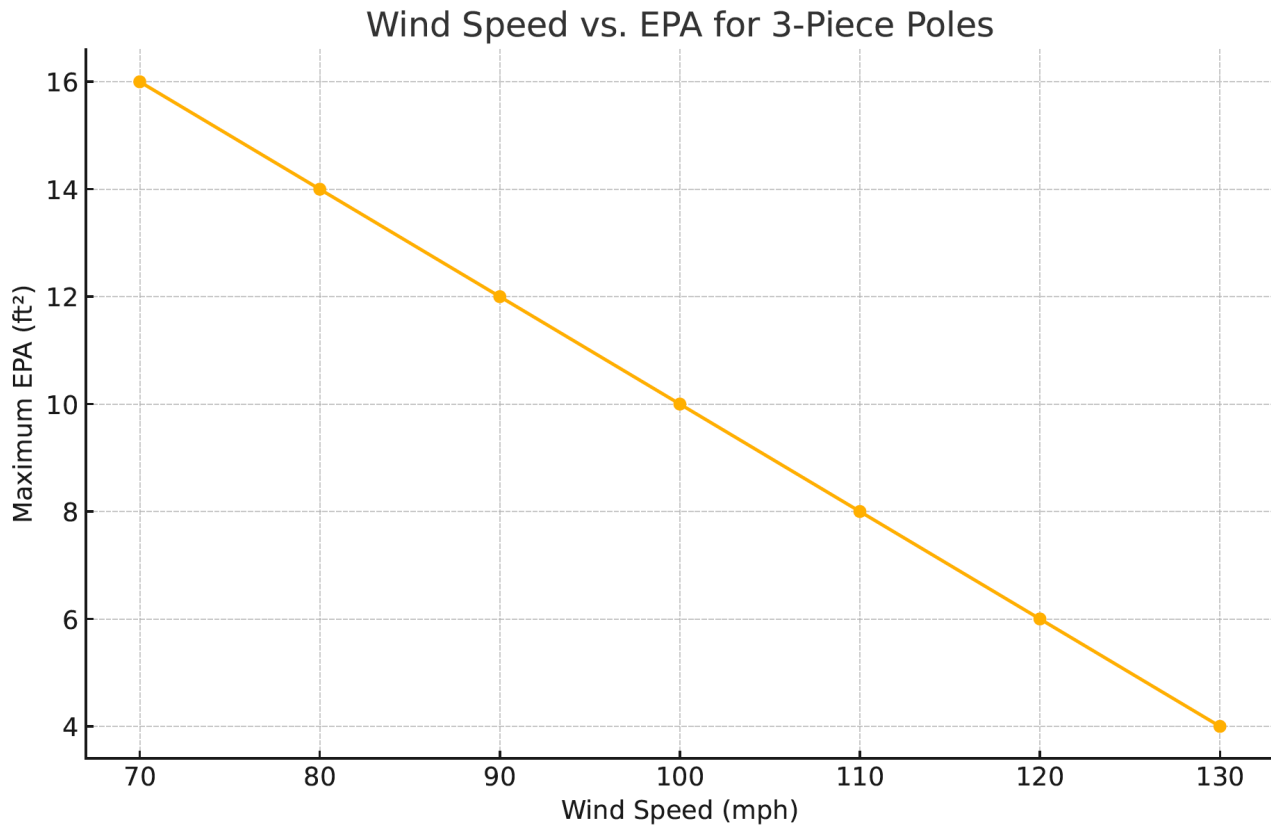


10.24" (H) x 10.24" (W) x 5.12" (D)

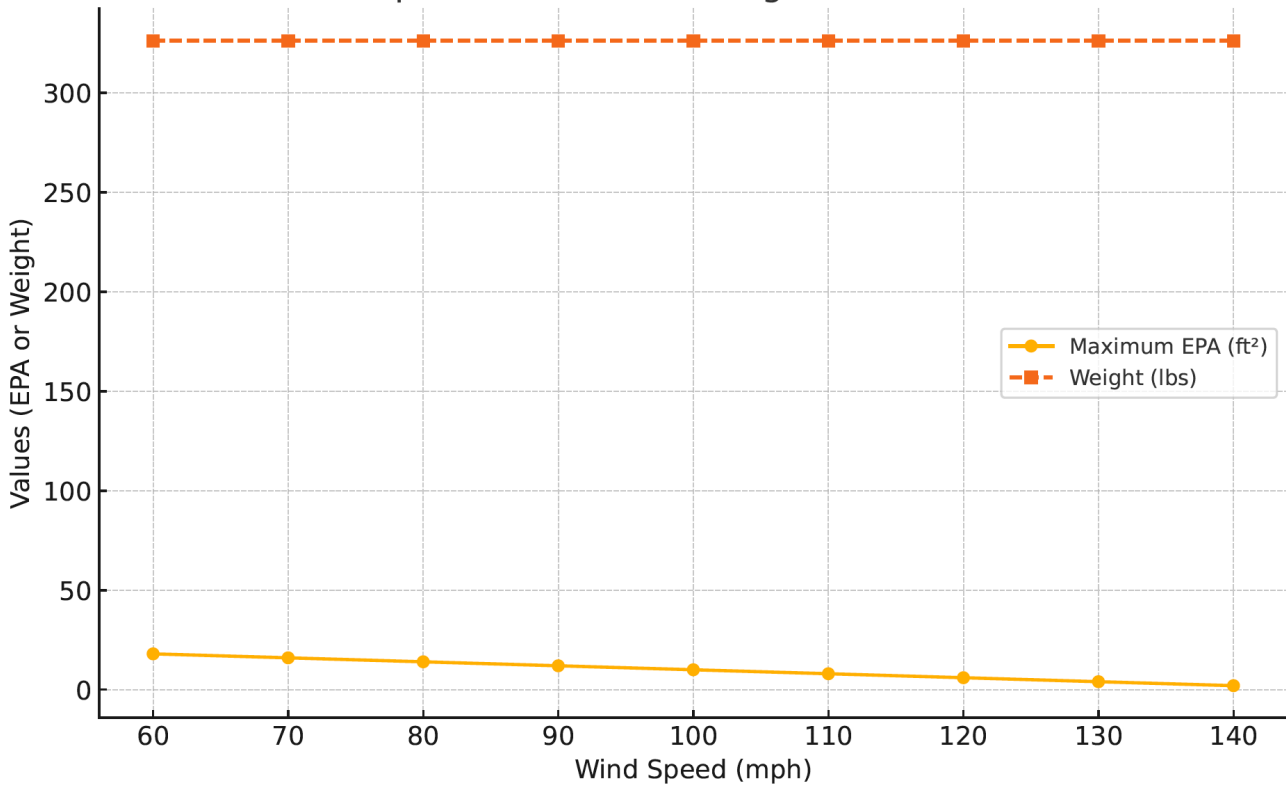


DECORATIVE 3-PIECE LIGHT POLE:

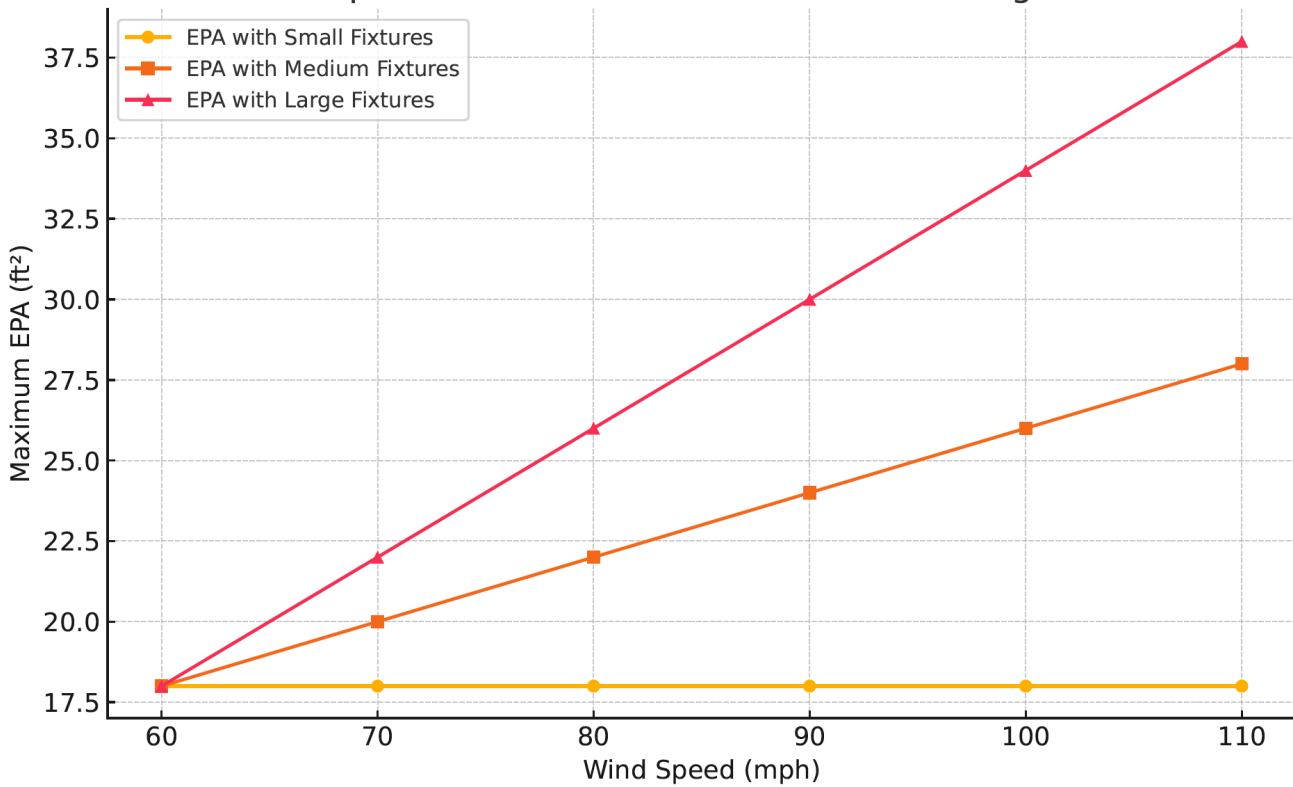
- Die-casting Aluminum
- Powder-Coated
- Corrosion Resistant Aluminum for Exterior



Wind Speed vs. EPA and Weight for 3-Piece Poles



Wind Speed vs. EPA for Different Fixture Configurations



Wind Speed (mph)	Base EPA (ft-≤)	EPA with Small Fix- tures (ft-≤)	EPA with Medium Fixtures (ft-≤)	EPA with Large Fix- tures (ft-≤)	Weight (lbs)
60	18	18	18	18	326.24
70	16	18	20	22	326.24
80	14	18	22	26	326.24
90	12	18	24	30	326.24
100	10	18	26	34	326.24
110	8	18	28	38	326.24
120	6	18	30	42	326.24
130	4	18	32	46	326.24
140	2	18	34	50	326.24

