

PML SERIES Outdoor Lighting

PML-R-MCT-BR
9" SELECTABLE CCT PIER-MOUNT LIGHTS
MCT Multi Color Temperature (Selectable)



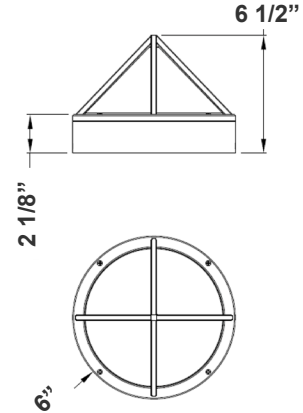
LED Pier Mount Lights With Frosted Lens Is Ideal For General Site Lighting, Loading Docks, Doorway, Pathway And Parking Areas.

WESTGATE
THE FUTURE IS HERE...AND IT'S QUITE BRIGHT!

Customer Name: _____

Project Name: _____

Note: _____ Type: _____



2 1/8"(W) x 6 1/2"(H) x 6"(D)

Features

- Back plate: Steel With Mounting/Gasket Installed
- Finish: Bronze
- Frosted Glass Lens
- 7-Year Warranty
- Multi-CCT Switch Is Inside Fixture

Technical Specifications

Electrical:

- Voltage: 120V AC 60Hz
- Wattage: 12W
- Power Factor: >0.90
- Efficacy: 70 LPW

Mechanical:

- Back Plate: Steel With Mounting/Gasket Installed
- Frosted Glass Lens
- Finish: Bronze
- Operating Temperature: -4°F to 49°F
- IP44 Suitable For Wet Location
- 7-Year Warranty

Lighting:

- Multi-CCT Switch Is Inside Fixture
- Total Lumens: 840LM
- Color Temperatures: 3000K/ 4000K/ 5000K
- Color Rendering Index: CRI ≥ 80
- Beam Angle: 90°
- Rated Life: 70,000 Hrs

Applications:

- LED Pier Mount Lights With Frosted Lens Is Ideal For General Site Lighting, Loading Docks, Doorway, Pathway And Parking Areas.

Other Models:

• 15W | 430LM | PML-M-MCT-ORB

• 18W | 460LM | PML-L-MCT-ORB

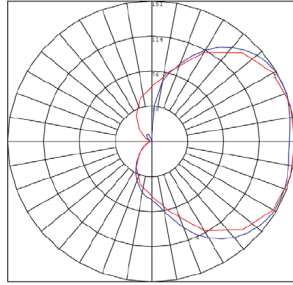
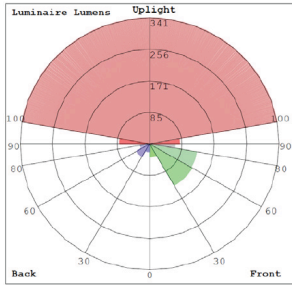


Phone: (877) 805-2252 | Fax: (877) 805-2252
www.westgatemfg.com |

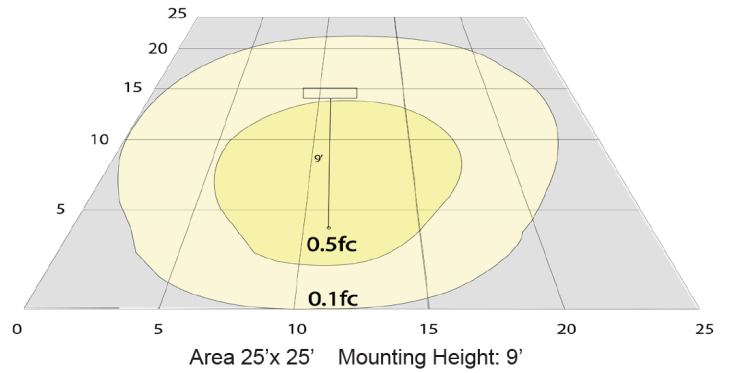


WG-02212023

Photometrics:: PML-R-MCT-BR



BUD Rating: B0-U3-G1



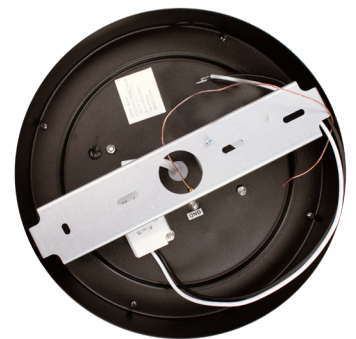
Other Views:



Side View



Front View



Back View

Performance Table: PML-R-MCT-BR

MODEL NO.	Wattage	Voltage	Lumens	Color Temp.	BUG Rating	LPW
PML-R-MCT-BR	12W	120V	840LM	3000K 4000K 5000K	B0-U3-G1	70

Sample Ordering

Model	Size	Color Temp.	Housing
PML	R	MCT	BR

Factory Installed Options:

Blank = No Option
OPT-PC-B = PHOTOCELL 120-277V

FACTORY-INSTALLED OPTIONS:



OPT-PC-B

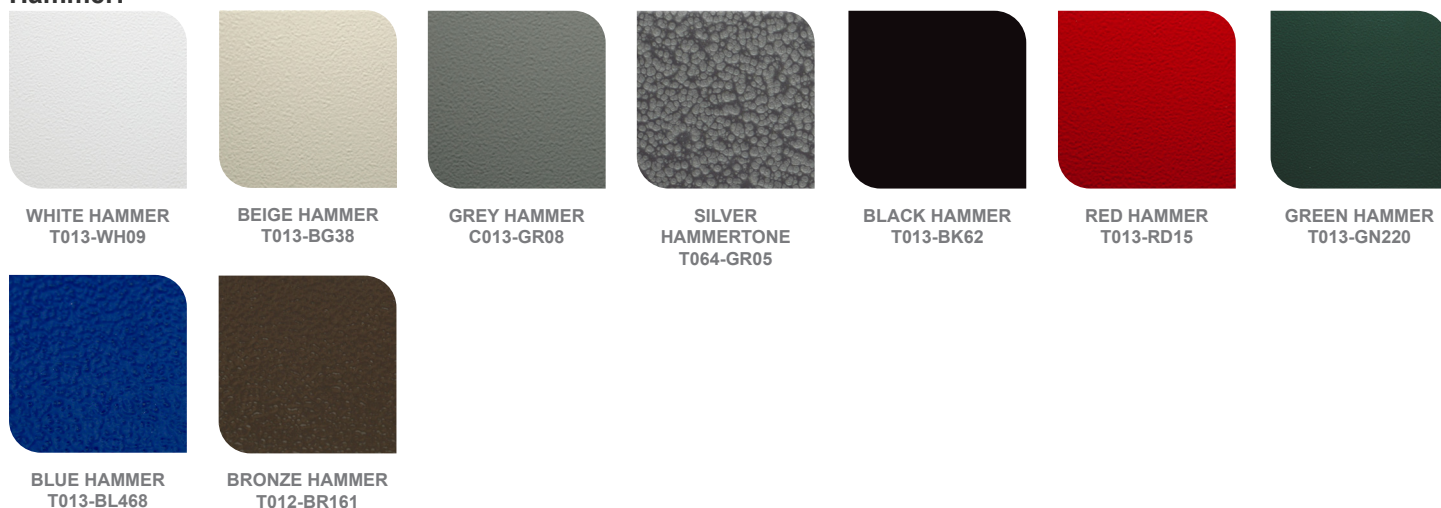


COLOR CHART: * Choose from one of our Premium Colors with no set-up fee.

Gloss:



Hammer:



Texture:



Vein:

