

# PML SERIES Outdoor Lighting

PML-R-MCT-BR  
9" SELECTABLE CCT PIER-MOUNT LIGHTS  
**MCT** Multi Color Temperature (Selectable)



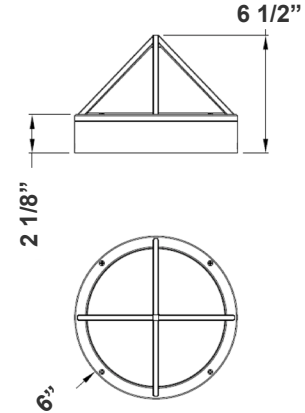
LED Pier Mount Lights With Frosted Lens Is Ideal For General Site Lighting, Loading Docks, Doorway, Pathway And Parking Areas.

**WESTGATE**  
THE FUTURE IS HERE...AND IT'S QUITE BRIGHT!

Customer Name: \_\_\_\_\_

Project Name: \_\_\_\_\_

Note: \_\_\_\_\_ Type: \_\_\_\_\_



2 1/8" (W) x 6 1/2" (H) x 6" (D)

## Features

- Back plate: Steel With Mounting/Gasket Installed
- Finish: Bronze
- Frosted Glass Lens
- 7-Year Warranty
- Multi-CCT Switch Is Inside Fixture

## Technical Specifications

### Electrical:

- Voltage: 120V AC 60Hz
- Wattage: 12W
- Power Factor: >0.90
- Efficacy: 70 LPW

### Mechanical:

- Back Plate: Steel With Mounting/Gasket Installed
- Frosted Glass Lens
- Finish: Bronze
- Operating Temperature: -4°F to 49°F
- IP44 Suitable For Wet Location
- 7-Year Warranty

### Lighting:

- Multi-CCT Switch Is Inside Fixture
- Dimming: Dimmable down to 10% using standard TRIAC LED dimmer
- Total Lumens: 840LM
- Color Temperatures: 3000K/ 4000K/ 5000K
- Color Rendering Index: CRI ≥ 80
- Beam Angle: 90°
- Rated Life: 70,000 Hrs

### Applications:

- LED Pier Mount Lights With Frosted Lens Is Ideal For General Site Lighting, Loading Docks, Doorway, Pathway And Parking Areas.

## Other Models:

- 15W | 430LM | PML-M-MCT-ORB
- 18W | 460LM | PML-L-MCT-ORB

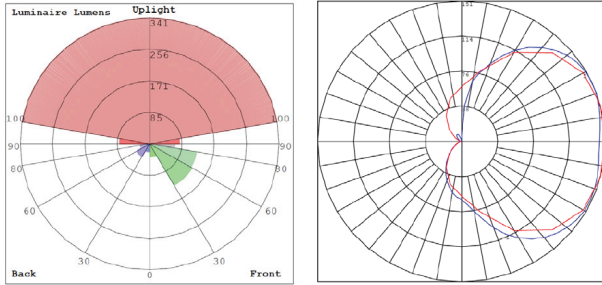


Phone: (877) 805-2252 | Fax: (877) 805-2252  
www.westgatemfg.com |

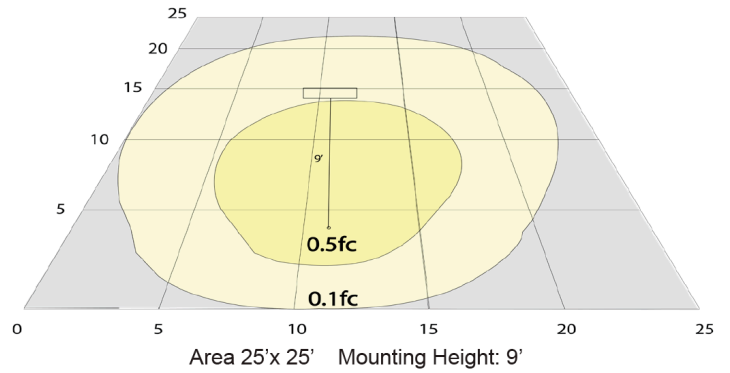


WG-02212023

## Photometrics:: PML-R-MCT-BR



BUD Rating: B0-U3-G1



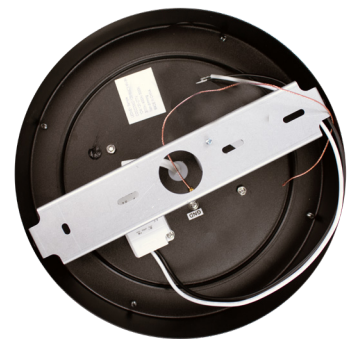
## Other Views:



Side View



Front View



Back View

## Performance Table: PML-R-MCT-BR

| MODEL NO.    | Wattage | Voltage | Lumens | Color Temp.             | BUG Rating | LPW |
|--------------|---------|---------|--------|-------------------------|------------|-----|
| PML-R-MCT-BR | 12W     | 120V    | 840LM  | 3000K<br>4000K<br>5000K | B0-U3-G1   | 70  |

## Sample Ordering

| Model | Size | Color Temp. | Housing |
|-------|------|-------------|---------|
| PML   | - R  | - MCT       | - BR    |

## Factory Installed Options:

Blank = No Option  
OPT-PC-B = PHOTOCELL 120-277V

## FACTORY-INSTALLED OPTIONS:



OPT-PC-B



**COLOR CHART:** \* Choose from one of our Premium Colors with no set-up fee.

**Gloss:**



**Hammer:**



**Texture:**



**Vein:**

