

# PML SERIES Outdoor Lighting

PML-MCT-BK

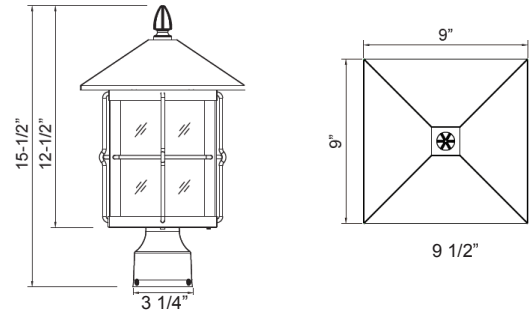
**MCT** Multi Color Temperature (Selectable)

Customer Name: \_\_\_\_\_

Project Name: \_\_\_\_\_

Note: \_\_\_\_\_

Type: \_\_\_\_\_



Ideal for indoor highlight lighting, small stadium and tracks, sign lighting

**15 1/2"(H) x 9"(W) x 9 1/2"(D)**

## Features

- Housing: aluminum
- Finish: Black powder coated
- 50,000 Hours Rated Life
- 5-Year Warranty
- Multi CCT: Selectable CCTs Switch Located Under the Top Hat
- Clear Water Glass on 4 sides, Open Bottom

## Technical Specifications

### Electrical:

- Voltage: 120V AC/50~60 Hz
- Wattage: 12W
- Power factor: >0.95
- Efficacy: 100 LPW

### Mechanical:

- Die-cast Aluminum Housing with Powder Coat Finish
- FOR 3" OD POLES
- Clear Water Glass on 4 sides, Open Bottom
- Operating Temperature: -4°F to 104°F
- IP Rating: IP65
- Suitable for Wet Locations

### Lighting:

- LED: 2835 SMD
- Multi CCT: Selectable CCTs Switch Located Under the Top Hat
- Total Lumens: 1200LM
- Color Temperature: 3000K/ 4000K/ 5000K
- Color Rendering Index:  $\geq 80$

### Applications:

- Ideal for indoor highlight lighting, small stadium and tracks, sign lighting



**Performance Table:** PML-MCT-BK

MODEL NO.	Wattage	Voltage	Lumens	Color Temp.	BUG Rating	LPW
PML-MCT-BK	12W	120V	1200LM	3000K 4000K 5000K	B1-U3-G1	100

## Sample Ordering

**Model Color Temp. Housing**

PML - MCT - BK

### Accessory:

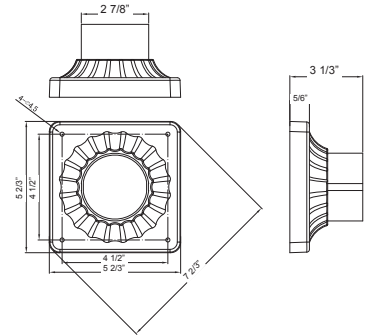
Blank = No Option For Accessories

PML-BASE-BK = DECORATIVE PIER MOUNT BASE FOR POST TOP LIGHTS - BLACK

### Accessory:



**PML-BASE-BK**  
DECORATIVE PIER MOUNT BASE FOR  
POST TOP LIGHTS -BLACK



5 2/3"(H) X 5 2/3"(W) X 3 1/3"(D)

