

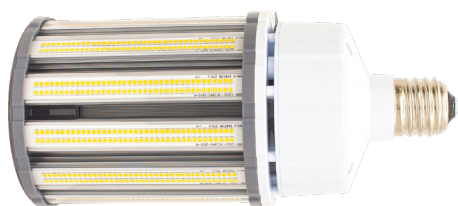
**CL** | A/C  
(BALLAST  
OVERRIDE)  
**MCTP**



CL-EHL-12-27W-MCTP-E26



CL-EHL-36-54W-MCTP-E26



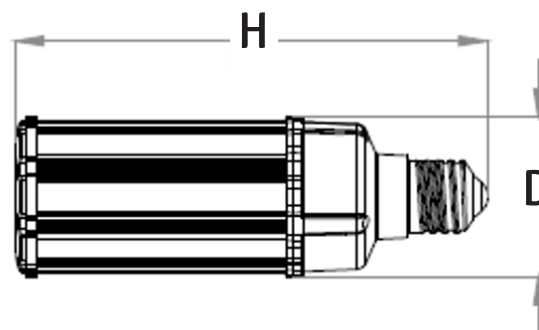
CL-EHL-80-120W-MCTP-E39

**TECHNICAL SPECIFICATIONS:**

- :: Multi-CCT Power: Switches on the bottom of the lamp
- :: Lamp base: E26 Medium Base & E39 Mogul Base
- :: Housing: PC + Aluminum
- :: Beam angle: 182°
- :: Input voltage: 100-277V AC
- :: CRI: >80
- :: Operating Temp: -4°F~113°F
- :: Life rating hours: 50000 hrs
- :: Suitable for damp location, IP64
- :: 5-year warranty

**APPLICATIONS:**

- :: Ideal for retrofitting existing HID highbay, shoebox, flood light or wall pack fixtures



**C12**

**LED MULTI CCT & POWER CORN LAMPS**

| CATALOG NO.             | WATTS         | COLOR TEMP                                 | LPW     | BASE            | DIMENSIONS           |
|-------------------------|---------------|--|---------|-----------------|----------------------|
| CL-EHL-12-27W-MCTP-E26  | 12W/18W/27W   | 3000K/4000K/5000K                          | 150LM/W | E26 medium Base | H: 6.69" X D: 2.36"  |
| CL-EHL-36-54W-MCTP-E39  | 36W/45W/54W   | 3000K/4000K/5000K                          | 150LM/W | E39 Mogul Base  | H: 9.84" X D: 3.34"  |
| CL-EHL-80-120W-MCTP-E39 | 80W/100W/120W | 3000K/4000K/5000K                          | 150LM/W | E39 Mogul Base  | H: 11.14" X D: 5.11" |
| E26-ENLARGER            |               | ENLARGES E26 BULB TO BE USED IN E39 SOCKET |         |                 |                      |
| E39-REDUCER             |               | REDUCES E39 BULB TO BE USED IN E26 SOCKET  |         |                 |                      |