

LTRR SERIES Commercial Lighting

LTRR-2X2-MCTP4
ARCHITECTURAL ADVANCED EDGE-LIT WING DESIGN TROFFER

MCTP Multi Color Temperature & Multi Power/Wattage (Selectable)

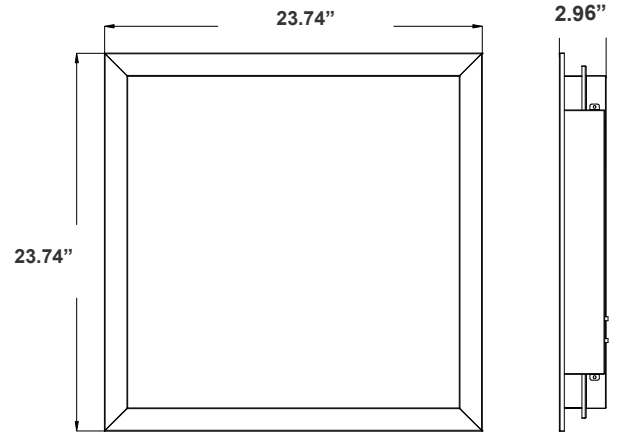


This modern, energy-efficient troffer is designed with a sloped lens for enhanced light distribution, offering flexibility with selectable wattage and color temperature (CCT). Ideal for commercial and architectural spaces, it provides seamless integration with varied design aesthetics while delivering superior illumination performance. Featuring adjustable power settings, this troffer maximizes energy savings without compromising lighting quality, ensuring compliance with energy codes and standards. Perfect for office, retail, and educational environments.

Customer Name: _____

Project Name: _____

Note: _____ | Type: _____



23.74"(L) x 23.74"(W) x 2.95"(D)

Features

- High Quality LED Chips Provide High Efficiency, Heat Dissipation, Stability, and Lumen Maintenance
- 7-Year Warranty
- 70,000 Hours Rated Life
- Lens: Polycarbonate
- Multi CCT: Selectable Multi-CCT & Power Switches Inside The Driver Box

Technical Specifications

Electrical:

- Voltage: 120-277VAC 50/60Hz
- Wattage: 24W/35W/40W
- Power Factor: >0.92
- Efficacy: 110 LPW

Mechanical:

- High Quality LED Chips Provide High Efficiency, Heat Dissipation, Stability, and Lumen Maintenance
- Individual, Pure Aluminum Heat Sinks Offers Heat Transmission Faster Than Die Cast Steel
- Driver disconnect provided where required to comply with US and Canadian codes
- Performance Engineered Optical Lens Assembly Delivers Unique Beam Angles and Reduces Glare
- Polycarbonate Lens
- Operating Temp: -22°F to 104°F
- IP Rating: IP20 Indoor use only
- 7-Year Warranty

Lighting:

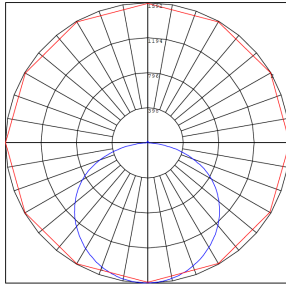
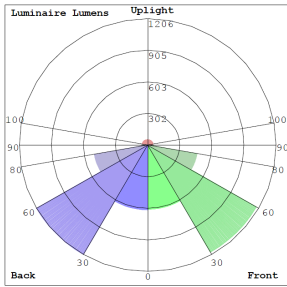
- Dimmable: 0~10V Dimming
- Multi CCT: Selectable Multi-CCT & Power Switches Inside The Driver Box
- Total Lumens: 4400LM Max
- Color Temperatures: 3000K/3500K/4000K/5000K
- Color Rendering Index: CRI ≥ 80
- 70,000 Hours Rated Life

Applications:

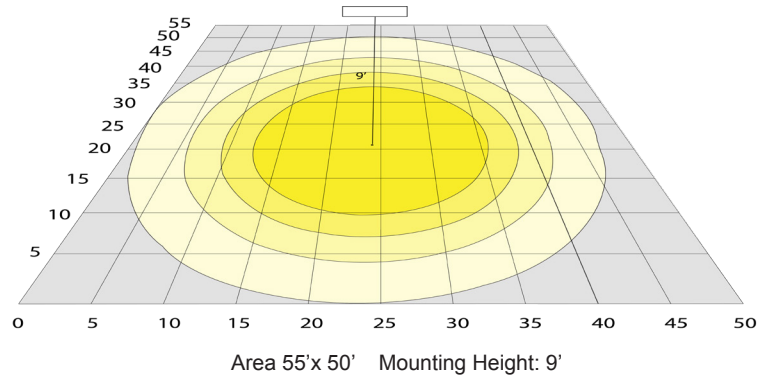
- Retail/Schools/Offices
- Healthcare/Conference rooms
- Hospitality/Corridors
- Reception areas/Foyer
- Library



Photometrics: LTRR-2X2-MCTP4



BUG Rating: B2-U3-G1



Other Views:



Side View



Night View

Performance Table: LTRR-2X2-MCTP4

MODEL NO.	Wattage	Voltage	Lumens	Color Temp.	BUG Rating	LPW
LTRR-2X2-MCTP4	24W 35W 40W	120~277V	2640LM 3850LM 4400LM	3000K 3500K 4000K 5000K	B2-U3-G1	110

Sample Ordering

Model Size Color Temp./Watts

LTRR - 2X2 - MCTP4

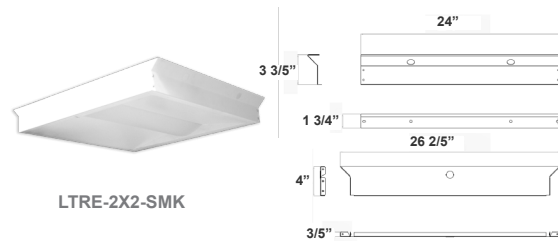
Accessories:

Blank = No Option For Accessories
LTRE-2X2-SMK = SURFACE MOUNTING KIT

Factory-Installed Options:

Blank = No Option For Accessories
OPT-EM-LTRM = EXTERNAL EMERGENCY BACKUP BATTERY MOUNTED ON TOP
OPT-SEN-2MRD-36 = PROGRAMMABLE MICROWAVE BI-LEVEL SENSOR
WEC-3RC = OPTIONAL REMOTE CONTROL
OPT-FWH-63 = 6FT 3-WIRE WHIP
OPT-FWH-65 = 6FT 5-WIRE WHIP
OPT-FWH-66 = 6FT 6-WIRE WHIP

ACCESSORIES and MOUNTING KIT:



LTRE-2X2-SMK

FACTORY-INSTALLED OPTIONS:



OPT-EM-LTRM



OPT-SEN-2MDR-36



OPT-FWH-63
OPT-FWH-65
OPT-FWH-66



WEC-3RC

