

LSC SERIES Indoor Lighting

LSC-10-MCTP-BN
MODERN INDOOR WALL SCNCE
MCTP Multi Color Temperature & Multi Power/Wattage (Selectable)

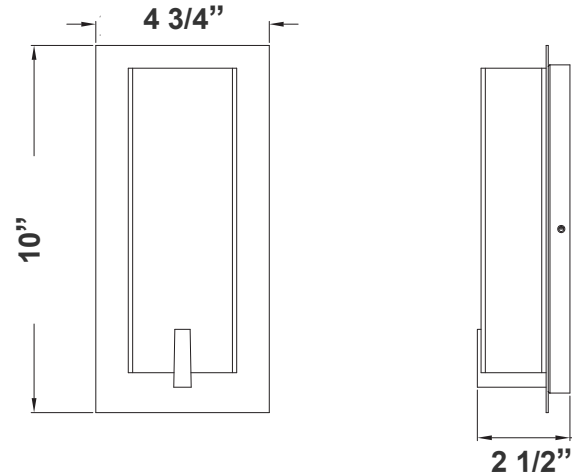


Experience versatile elegance with our modern indoor wall sconce, designed for optimal illumination and energy efficiency. Featuring adjustable power settings and customizable Correlated Color Temperature (CCT), this fixture ensures perfect ambiance for any space. Ideal for contemporary interiors, it seamlessly blends style and functionality.

Customer Name: _____

Project Name: _____

Note: _____ Type: _____



4 3/4"(W) x 10"(H) x 2 1/2"(D)

Features

- Finish: Brushed Nickel
- Steel Housing
- Lens Type: Polycarbonate Lens
- MCTP: Multi Color Temperature and Power(Selectable Switch Inside Fixture)

Technical Specifications

Electrical:

- Voltage: 120V AC 50/60Hz
- Wattage: 9W/12W/15W
- Power Factor: >0.9
- Total Harmonic Distortion: ≤ 20 %
- Efficacy: 80LPW

Mechanical:

- Finish: Brushed Nickel
- Steel Housing
- Lens Type: Polycarbonate Lens
- Operating Temperature: -4°F to 113°F
- IP20, Suitable For Damp Location
- 5-Year Warranty

Lighting:

- Dimming: TRIAC Dimming
- MCTP: Multi Color Temperature and Power(Selectable Switch Inside Fixture)Total Lumens: 1200LM Max.
- Color Temperatures: 3000K/4000K/5000K
- Color Rendering Index: CRI ≥ 80
- 50,000 Hours Rated Life
- Beam Angle: 130°

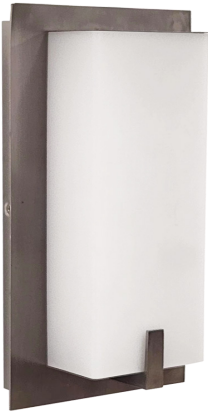
Applications:

- Ideal for Office, Retail Store, Showroom, Residential Applications and Damp Environment Lighting Applications

• 20W | 1600LM | LSC-15-MCTP-BN • 25W | 2000LM | LSC-18-MCTP-BN



Other Views:



Side View



Side View



Back View

Performance Table: LSC-10-MCTP-BN

MODEL NO.	Wattage	Voltage	Lumens	Color Temp.	BUG Rating	LPW
LSC-10-MCTP-BN	9W 12W 15W	120V	720LM 960LM 1200LM	3000K 4000K 5000K	B1-U3-G1	80

Sample Ordering

Model Size Color Temp. Housing

LSC - 10 - MCTP - BN

OTHER MODEL: LSC-15-MCTP-BN



Side View



Side View



Back View

