

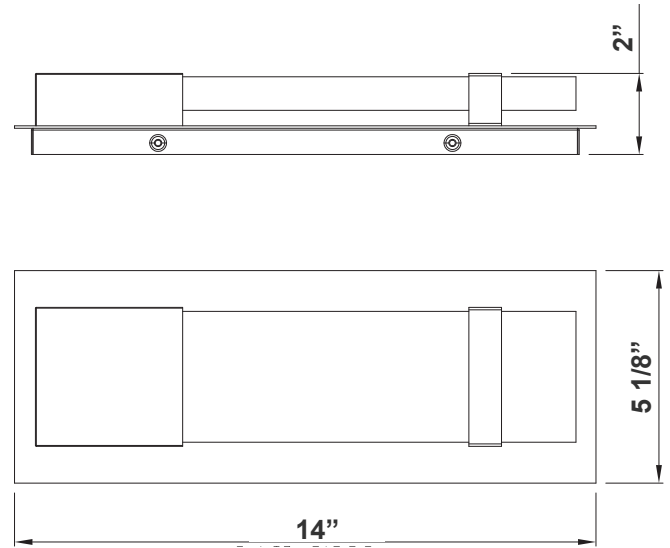
# LRS SERIES Outdoor Lighting

**LRS-SG1-MCT-ORB**  
LED SEASIDE OUTDOOR WALL LANTERN WITH WIRE GUARD  
**MCT** SEEDED GLASS WALL SCONCES



LED Seaside Outdoor Wall Lantern with Wire guard with aluminum housing & powder-coated finish, acrylic diffuser. Ideal for general site lighting, residential buildings, doorway, pathway and parking areas.

Customer Name: \_\_\_\_\_  
Project Name: \_\_\_\_\_  
Note: \_\_\_\_\_ Type: \_\_\_\_\_



14"(W) x 5 1/8"(H) x 2"(D)

## Features

- Aluminum Housing and Steel Back Plate
- Frosted Glass Lens
- 7-Year Warranty
- Multi CCT Switch is Inside Fixture

## Technical Specifications

### Electrical:

- Voltage: 120V AC 60Hz
- Wattage: 12W
- Power Factor: >0.90
- Efficacy: 100 LPW

### Mechanical:

- Aluminum Housing and Steel Back Plate
- Frosted Glass Lens
- Operating Temperature: -4°F to 104°F
- Wet Location
- 7-Year Warranty
- IP42, Suitable for outdoor use

### Lighting:

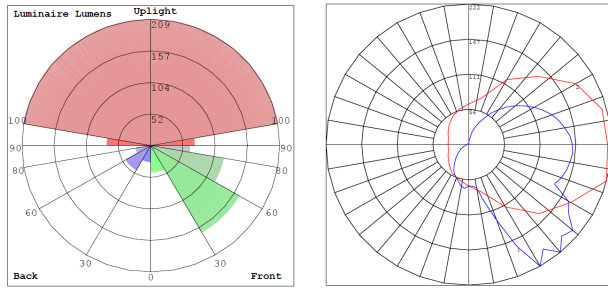
- Total Lumens: 1200LM
- Color Temperatures: 3000K/4000K/5000K
- Color Rendering Index: CRI ≥ 80
- Beam Angle: 90° x 110°
- Rated life: 70,000 Hrs

### Applications:

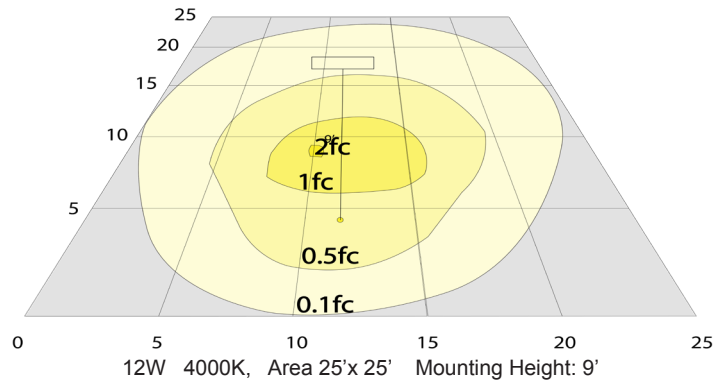
- LED Seaside Outdoor Wall Lantern with Wire guard with aluminum housing & powder-coated finish, acrylic diffuser. Ideal for general site lighting, residential buildings, doorway, pathway and parking areas.



## Photometrics: LRS-SG1-MCT-ORB



BUD Rating: B0-U3-G1



## Other Views:



Side View



Night View

## Performance Table: LRS-SG1-MCT-ORB

MODEL NO.	Wattage	Voltage	Lumens	Color Temp.	BUG Rating	LPW
LRS-SG1-MCT-ORB	12W	120V	1200LM	3000K 4000K 5000K	B0-U3-G1	100

## Sample Ordering

**Model**      **Color Temp.**      **Housing**  
 -  -  -

