

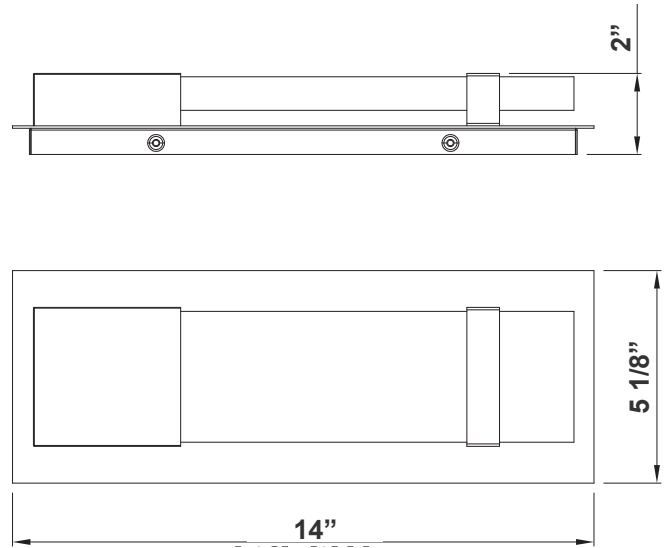
LRS SERIES Outdoor Lighting

LRS-SG1-MCT-DD-ORB
LED SEASIDE OUTDOOR WALL LANTERN WITH WIRE GUARD
MCT SEEDED GLASS WALL SCONCES



LED Seaside Outdoor Wall Lantern with Wire guard with aluminum housing & powder-coated finish, acrylic diffuser. Ideal for general site lighting, residential buildings, doorway, pathway and parking areas.

Customer Name: _____
Project Name: _____
Note: _____ Type: _____



14"(W) x 5 1/8"(H) x 2"(D)

Features

- Aluminum Housing and Steel Back Plate
- Frosted Glass Lens
- 7-Year Warranty
- Multi CCT Switch is Inside Fixture

Technical Specifications

Electrical:

- Voltage: 120-277V AC
60Hz
- Wattage: 12W
- Power Factor: >0.90
- Efficacy: 100 LPW

Mechanical:

- Aluminum Housing and Steel Back Plate
- Frosted Glass Lens
- Operating Temperature: -4°F to 104°F
- Wet Location
- 7-Year Warranty
- IP42, Suitable for outdoor use

Lighting:

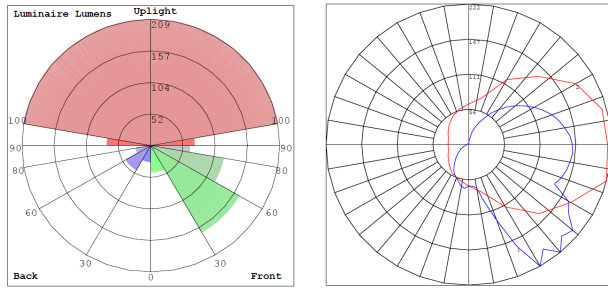
- Dimming: (Dual Function) Triac Dimmable at 120V & 0-10V Dimming at 120-277V
- Total Lumens: 1200LM
- Color Temperatures: 3000K/4000K/5000K
- Color Rendering Index: CRI ≥ 80
- Beam Angle: 90° x 110°
- Rated life: 70,000 Hrs

Applications:

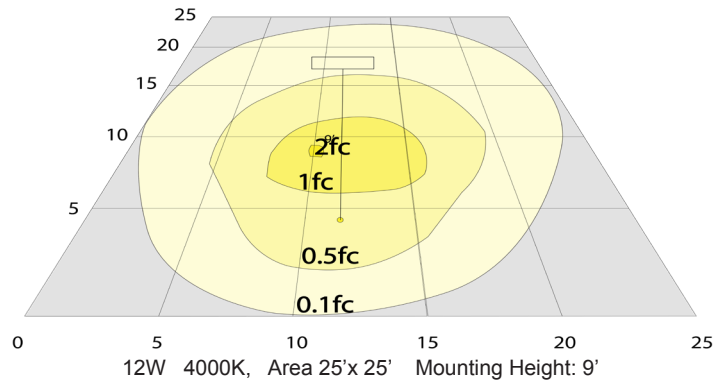
- LED Seaside Outdoor Wall Lantern with Wire guard with aluminum housing & powder-coated finish, acrylic diffuser. Ideal for general site lighting, residential buildings, doorway, pathway and parking areas.



Photometrics: LRS-SG1-MCT-DD-ORB



BUD Rating: B0-U3-G1



Other Views:



Side View



Night View

Performance Table: LRS-SG1-MCT-DD-ORB

MODEL NO.	Wattage	Voltage	Lumens	Color Temp.	BUG Rating	LPW
LRS-SG1-MCT-DD-ORB	12W	120-277V	1200LM	3000K 4000K 5000K	B0-U3-G1	100

Sample Ordering

Model	Color Temp.	Dimming	Housing
LRS - SG1 - MCT - DD - ORB			

