

LRS SERIES Outdoor Lighting

LRS-P2-MCTP-BR
DIE-CAST HIGH PERFORMANCE SELECTABLE 3CCT WALL PACK, PC LENS
MCTP Multi Color Temperature & Multi Power/Wattage (Selectable)



LED Outdoor Wall Lantern With Aluminum Housing & Powder-Coated Finish, Acrylic Diffuser. Ideal for General Site Lighting, Residential Buildings, Doorway, Pathway And Parking Areas.

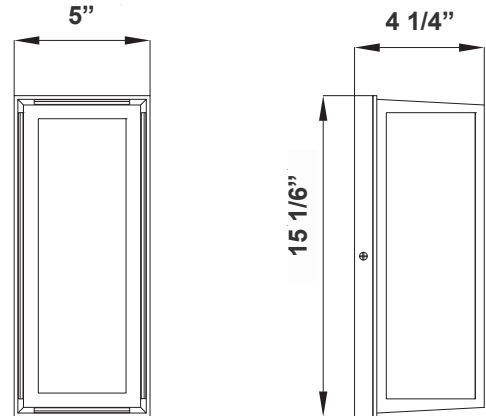
WESTGATE
THE FUTURE IS HERE...AND IT'S QUITE BRIGHT!

Customer Name: _____

Project Name: _____

Note: _____

Type: _____



4 1/4"(W) x 15 1/6"(H) x 5"(D)

Features

- Aluminum Housing and Steel Plate
- Bronze, 10"H Wall Pack
- Powder-Coated Finish
- 7-Year Warranty
- Multi CCT Switch is Inside Fixture

Technical Specifications

Electrical:

- Voltage: 120V AC 60Hz
- Wattage: 20W/25W/30W
- Power Factor: >0.90
- Efficacy: 70 LPW

Mechanical:

- Aluminum Housing and Steel Plate
- Up Light Or Down Light
- Powder-Coated Finish
- Operating Temperature: -4°F to 104°F
- 7-Year Warranty
- IP42, Suitable For Wet Location

Lighting:

- Multi CCT Switch is Inside Fixture
- Dimming: TRAIC Dimming
- Total Lumens: 2100LM
- Color Temperatures: 3000K/4000K/5000K
- Color Rendering Index: CRI ≥ 80
- Beam Angle: 90° x 110°
- Rated Life: 70,000 Hrs

Applications:

- LED Outdoor Wall Lantern with aluminum housing & powder-coated finish, acrylic diffuser. Ideal for general site lighting, residential buildings, doorway, pathway and parking areas.

Other Models:

- 15W | 975LM | LRS-P1-MCT-BR

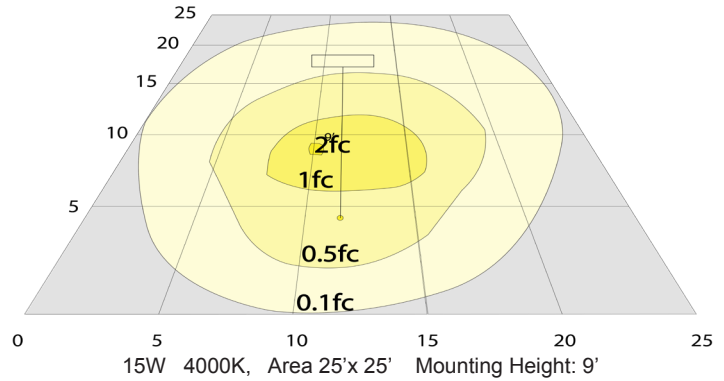
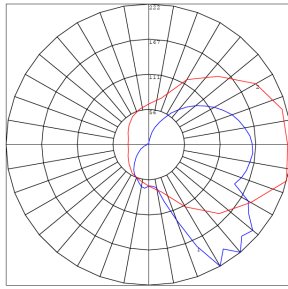
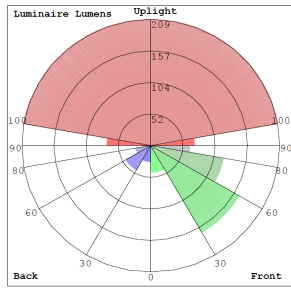


Phone: (877) 805-2252 | Fax: (877) 805-2252
www.westgatemfg.com



WG-06132023

Photometrics: LRS-P2-MCTP-BR



BUD Rating: B0-U3-G1

Other Views:



Side View



Front View



Bottom View

Performance Table: LRS-P2-MCTP-BR

MODEL NO.	Wattage	Voltage	Lumens	Color Temp.	BUG Rating	LPW
LRS-P2-MCTP-BR	20W 25W 30W	120V	1400LM 1750LM 2100LM	3000K 4000K 5000K	B0-U3-G1	70

Sample Ordering

Model Color Temp. Housing

LRS - P2 - MCTP - BR

Other Model: LRS-P1-MCT-BR



Side View



Front View



Bottom View

