

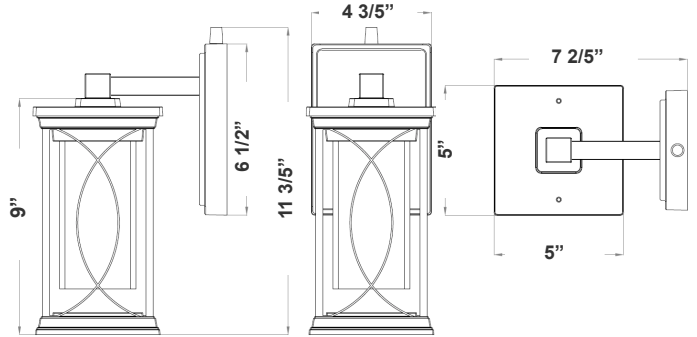
# LRS SERIES Outdoor Lighting

LRS-M2-MCT-P-ORB  
RESIDENTIAL LANTERNS WITH PHOTOCELL, CCT SELECTABLE  
**MCT** Multi Color Temperature (Selectable)

**WESTGATE**  
THE FUTURE IS HERE...AND IT'S QUITE BRIGHT!



Customer Name: \_\_\_\_\_  
Project Name: \_\_\_\_\_  
Note: \_\_\_\_\_ Type: \_\_\_\_\_



7 2/5"(W) x 11 3/5"(H) x 4 3/5"(D)

LED Outdoor Wall Lantern with aluminum housing & powder-coated finish, acrylic diffuser. Ideal for general site lighting, residential buildings, doorway, pathway and parking areas.

## Features

- Aluminum Housing and Steel Plate
- 10" Model M Residential Lanterns
- Powder-Coated Finish
- 7-Year Warranty
- Multi CCT Switch is Inside Fixture

## Technical Specifications

### Electrical:

- Voltage: 120V AC 60Hz
- Wattage: 12W
- Power Factor: >0.90
- Efficacy: 41 LPW

### Mechanical:

- Oil-Rubbed Bronze Finish
- DC Button Photocell on top of the Mounting Plate
- With Frosted Lens & Ornament Guard
- Operating Temperature: -4°F to 104°F
- 7-Year Warranty
- IP42, Suitable For Wet Location

### Lighting:

- Total Lumens: 500LM
- Color Temperatures: 3000K/4000K/5000K
- Color Rendering Index: CRI ≥ 80
- Beam Angle: 90° x 110°
- Rated Life: 70,000 Hrs

### Applications:

- LED Outdoor Wall Lantern with aluminum housing & powder-coated finish, acrylic diffuser. Ideal for general site lighting, residential buildings, doorway, pathway and parking areas.

### Other Models:

- 12W | 500LM | LRS-M1-MCT-P-ORB

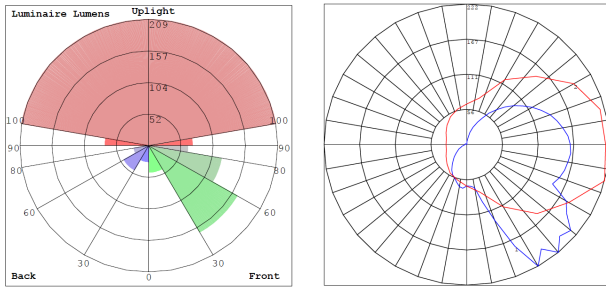


Phone: (877) 805-2252 | Fax: (877) 805-2252  
www.westgatemfg.com

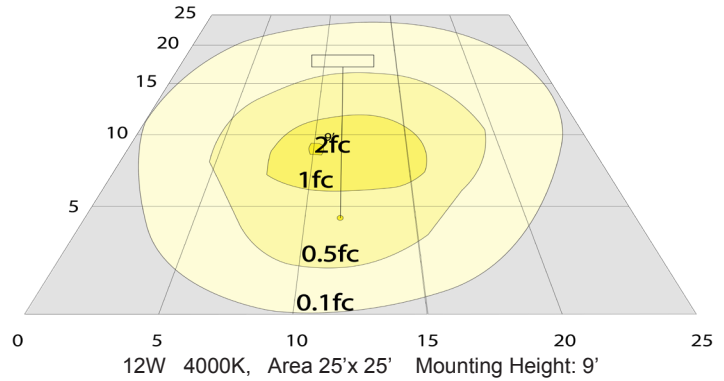


WG-02022020

**Photometrics:** LRS-M2-MCT-P-ORB



BUD Rating: B0-U3-G1



**Other Views:**



Side View



Front View



Bottom View

**Performance Table:** LRS-M2-MCT-P-ORB

MODEL NO.	Wattage	Voltage	Lumens	Color Temp.	BUG Rating	LPW
LRS-M2-MCT-P-ORB	12W	120V	500LM	3000K 4000K 5000K	B0-U3-G1	41

**Sample Ordering**

**Model Style Color Temp. Photocell Housing**  
 LRS - M2 - MCT - P - ORB

**Accessories:**

Blank = No Option For Accessories  
 LRS-M-RL-FG = Replacement Default Frosted Lens For LRS-M Series  
 LRS-M-RL-BG = Replacement Bubble Glass Lens For LRS-M Series  
 LRS-M-RL-CG = Replacement Cracked Glass Lens For LRS-M Series

**Factory-Installed Option:**

Blank = No Option For Accessories  
 OPT-EM-LRS-MN = Factory-installed EM with External Back Box

**ACCESSORIES:**



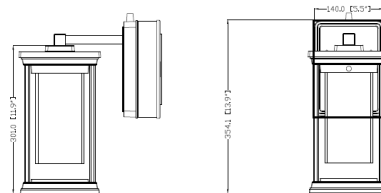
LRS-M-RL-FG



LRS-M-RL-BG



LRS-M-RL-CG



OPT-EM-LRS-MN  
 11.4" (D) x 13.9" (H) x 5.5" (W)

