

LRS SERIES Outdoor Lighting

LRS-M1-MCT-P-ORB
RESIDENTIAL LANTERNS WITH PHOTOCELL, CCT SELECTABLE
MCT Multi Color Temperature (Selectable)



LED Outdoor Wall Lantern with aluminum housing & powder-coated finish, acrylic diffuser. Ideal for general site lighting, residential buildings, doorway, pathway and parking areas.

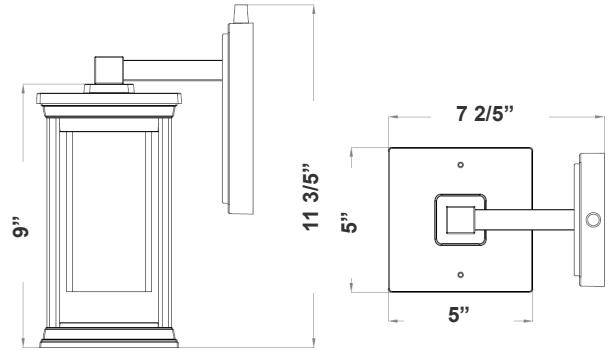
WESTGATE
THE FUTURE IS HERE...AND IT'S QUITE BRIGHT!

Customer Name: _____

Project Name: _____

Note: _____

Type: _____



7 2/5" (W) x 11 3/5" (H) x 5" (D)

Features

- Aluminum Housing and Steel Plate
- 10" Model M Residential Lanterns
- Powder-Coated Finish
- 7-Year Warranty
- Multi CCT Switch is Inside Fixture

Technical Specifications

Electrical:

- Voltage: 120V AC 60Hz
- Wattage: 12W
- Power Factor: >0.90
- Efficacy: 41 LPW

Mechanical:

- Oil-Rubbed Bronze Finish
- DC Button Photocell on top of the Mounting Plate
- With Inside Frosted Lens & External Clear Lens
- Operating Temperature: -4°F to 104°F
- 7-Year Warranty
- IP42, Suitable For Wet Location

Lighting:

- Total Lumens: 500LM
- Color Temperatures: 3000K/4000K/5000K
- Color Rendering Index: CRI ≥ 80
- Beam Angle: 90° x 110°
- Rated Life: 70,000 Hrs

Applications:

- LED Outdoor Wall Lantern with aluminum housing & powder-coated finish, acrylic diffuser. Ideal for general site lighting, residential buildings, doorway, pathway and parking areas.

Other Models:

- 12W | 500LM | LRS-M2-MCT-P-ORB

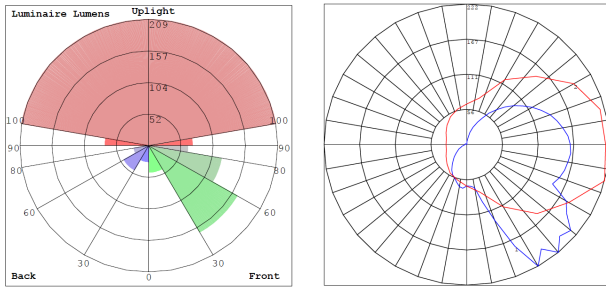


Phone: (877) 805-2252 | Fax: (877) 805-2252
www.westgatemfg.com

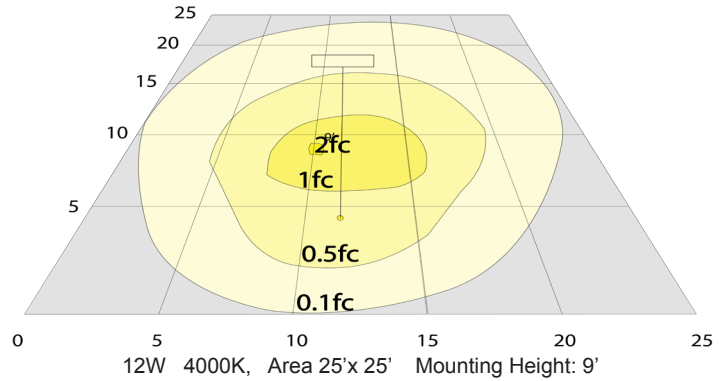


WG-02022020

Photometrics: LRS-M1-MCT-P-ORB



BUD Rating: B0-U3-G1



Other Views:



Side View



Front View



Bottom View

Performance Table: LRS-M1-MCT-P-ORB

MODEL NO.	Wattage	Voltage	Lumens	Color Temp.	BUG Rating	LPW
LRS-M1-MCT-P-ORB	12W	120V	500LM	3000K 4000K 5000K	B0-U3-G1	41

Sample Ordering

Model	Style	Color Temp.	Photocell	Housing				
LRS	-	M1	-	MCT	-	P	-	ORB

Accessories:

Blank = No Option For Accessories
 LRS-M-RL-FG = Replacement Default Frosted Lens For LRS-M Series
 LRS-M-RL-BG = Replacement Bubble Glass Lens For LRS-M Series
 LRS-M-RL-CG = Replacement Cracked Glass Lens For LRS-M Series

Factory-Installed Option:

Blank = No Option For Accessories
 OPT-EM-LRS-MN = Factory-installed EM with External Back Box

ACCESSORIES:



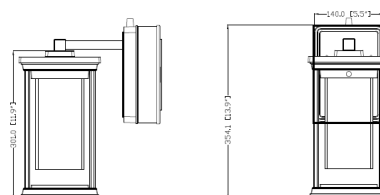
LRS-M-RL-FG



LRS-M-RL-BG



LRS-M-RL-CG



OPT-EM-LRS-MN
 11.4" (D) x 13.9" (H) x 5.5" (W)

