

LRS SERIES Outdoor Lighting

LRS-CR2-MCT-BR
MODEL CR DIE-CAST MODERN WALL SCONCES
MCT Multi Color Temperature (Selectable)

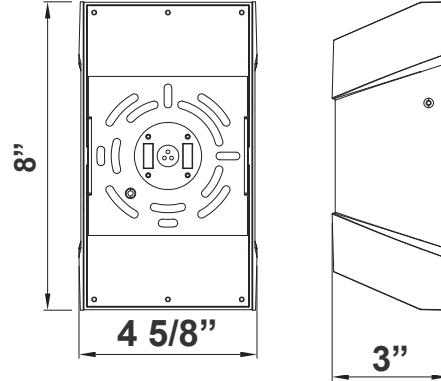
WESTGATE
THE FUTURE IS HERE...AND IT'S QUITE BRIGHT!



Customer Name: _____

Project Name: _____

Note: _____ Type: _____



4 5/8"(W) x 8"(H) x 3"(D)

LED Outdoor Wall Lantern with aluminum housing & powder-coated finish, acrylic diffuser. Ideal for general site lighting, residential buildings, doorway, pathway and parking areas.

Features

- Aluminum Housing and Steel Plate
- 6" Model O Die-Cast Modern Wall Sconces
- Powder-Coated Finish
- 7-Year Warranty
- Multi CCT Switch is Inside Fixture

Technical Specifications

Electrical:

- Voltage: 120V AC 60Hz
- Wattage: 2x6W
- Power Factor: >0.90
- Efficacy: 70 LPW

Mechanical:

- Aluminum Housing and Steel Plate
- Up Light & Down Light
- Powder-Coated Finish
- Operating Temperature: -4°F to 104°F
- 7-Year Warranty
- Suitable For Wet Location

Lighting:

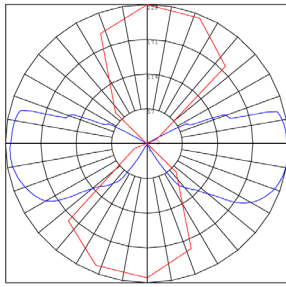
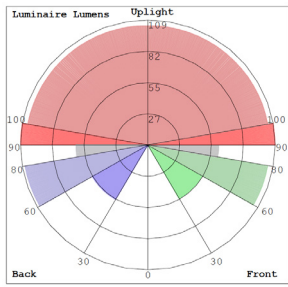
- Total Lumens: 840LM
- Color Temperatures: 3000K/4000K/5000K
- Color Rendering Index: CRI ≥ 80
- Beam Angle: 90° x 110°
- Rated Life: 70,000 Hrs

Applications:

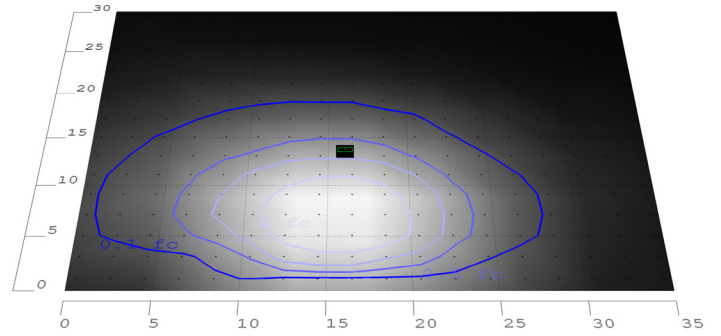
- LED Outdoor Wall Lantern with aluminum housing & powder-coated finish, acrylic diffuser. Ideal for general site lighting, residential buildings, doorway, pathway and parking areas.



Photometrics: LRS-CR2-MCT-BR



BUD Rating: B0-U3-G1



2x6W 4000K, Area 30'x 35' Mounting Height: 9'

Other Views:



Side View



Front View

Performance Table: LRS-CR2-MCT-BR

MODEL NO.	Wattage	Voltage	Lumens	Color Temp.	BUG Rating	LPW
LRS-CR2-MCT-BR	2x6W	120V	840LM	3000K 4000K 5000K	B0-U3-G1	140

Sample Ordering

Model Style Color Temp. Housing

LRS - CR2 - MCT - BR

